

# STAINLESS STEEL CONSTRUCTION DUMP BOX DETAIL SHEET

Accurate physical measurements are essential for proper tarp fit. DO NOT use universal box sizes. ALWAYS use actual tape measurements. Complete the form thoroughly. Missing information may delay ordering process.

**CONTACT INFORMATION** DATE \_\_\_\_\_

NAME \_\_\_\_\_

ADDRESS \_\_\_\_\_

CITY \_\_\_\_\_ STATE \_\_\_\_\_ ZIP \_\_\_\_\_

PHONE \_\_\_\_\_ EMAIL/FAX \_\_\_\_\_

TRUCK BOX PUP TRAILER

MAKE \_\_\_\_\_ YEAR \_\_\_\_\_

**TYPE OF SRT-2 TARP SYSTEM**

MANUAL CAB OPERATED

ELECTRIC CONTROL BOX

CONTROL BOX WITH REMOTE

DUAL POLE CONNECTOR KIT (electric pup kits only)

EXTRA 6 GA. WIRE NEEDED (electric pup kits only) \_\_\_\_\_ ft.

**BOX MEASUREMENTS** Exact measurements required

**IMPORTANT:** For wood extensions, measure from top outside of wood extensions (tip-top). For no extensions, measure from top outside of box

TOP BOX LENGTH A1 \_\_\_\_\_ Front of box to front hinge opening

A2 \_\_\_\_\_ Front hinge opening to rear of box

B TOP OUTSIDE BOX WIDTH Front \_\_\_\_\_ Rear \_\_\_\_\_

C \_\_\_\_\_ BOX HEIGHT FROM GROUND

D \_\_\_\_\_ TOP RAIL OR WOOD EXTENSIONS WIDTH

E \_\_\_\_\_ INSIDE BOX WIDTH

**CORNER CONFIGURATION** See illustration 1

SQUARE DIAGONAL RADIUS (additional cost)

F \_\_\_\_\_ OUTSIDE CORNER RADIUS (for all radius fronts)

I \_\_\_\_\_ DIAGONAL DEPTH

**OPTIONS** \*Optional items are additional cost

HD ALUMINUM BOWS (not included in kit) Add Bows\* Qty. \_\_\_\_

END CAPS (rubber wind deflector with front & rear bow standard)

None (it is assumed customer is supplying compatible end caps)

Rubber Wind Deflector (includes front & rear bow)

Rise Flat 4"

Stainless Steel End Caps

Rise Flat 7"

Front Top Mount Side Mount

Rear Top Mount Aluminum Bow

**FRONT FILLER** (if I or F dimension is greater than 0") (select one)

Front end cap mounted flush with face of box. Filler pans & additional brackets may be required, not available from ACI

Front end cap set back from face of box (I or F dimension 24" max.)

Fabric filler supplied by ACI (top mount end caps only)\*

Metal filler supplied by ACI (top mount end caps only)\*

ADD DRAIN HOLES\* (include drain hole box detail sheet)

ADD BOLT-ON "Z" BRACKET\* (used with box rail wider than 4")

TARP FABRIC 18 oz. Mesh (available in black only)

TARP COLOR (black tarp standard)

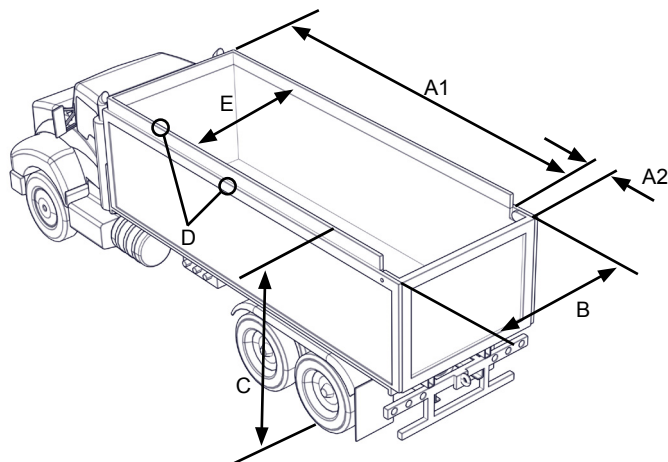
Black Blue Orange Brown

White Red Yellow Green

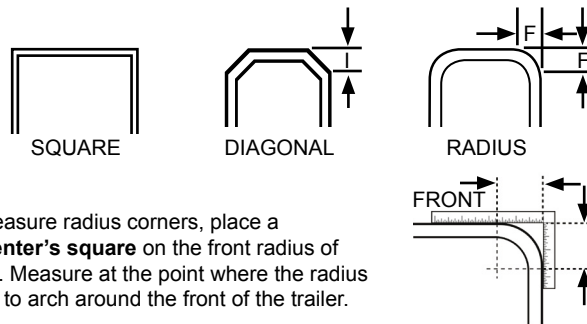
Gray 18 oz. Multi-Color\* (select two colors)

NOTES/ADDITIONAL PART NUMBERS

\_\_\_\_\_  
 \_\_\_\_\_  
 \_\_\_\_\_  
 \_\_\_\_\_



**ILLUSTRATION 1** FRONT CORNER CONFIGURATION



To measure radius corners, place a **carpenter's square** on the front radius of trailer. Measure at the point where the radius starts to arch around the front of the trailer.



P.O. Box 508  
 Jamestown, ND 58402  
 Phone: 800-233-4655  
 Fax: 800-592-4460  
 orderdesk@agricover.com