

# STAINLESS STEEL BOX DETAIL SHEET

Accurate physical measurements are essential for proper tarp fit. DO NOT use universal box sizes. ALWAYS use actual tape measurements. Complete the form thoroughly. Missing information may delay ordering process.

**CONTACT INFORMATION** DATE \_\_\_\_\_

NAME \_\_\_\_\_

ADDRESS \_\_\_\_\_

CITY \_\_\_\_\_ STATE \_\_\_\_\_ ZIP \_\_\_\_\_

PHONE \_\_\_\_\_ EMAIL/FAX \_\_\_\_\_

SPREADER \_\_\_\_\_ TENDER \_\_\_\_\_

MAKE \_\_\_\_\_

MODEL \_\_\_\_\_ YEAR \_\_\_\_\_

**TYPE OF SRT-2 TARP SYSTEM** Up to 118" wide by 24' long

- MANUAL CAB OPERATED
- ELECTRIC CONTROL BOX
- CONTROL BOX WITH REMOTE

**BOX MEASUREMENTS** Exact measurements required

- A \_\_\_\_\_ TOP OUTSIDE BOX LENGTH
- B TOP OUTSIDE BOX WIDTH Front \_\_\_\_\_ Rear \_\_\_\_\_
- C \_\_\_\_\_ BOX HEIGHT FROM GROUND
- D \_\_\_\_\_ TOP RAIL WIDTH

**OPTIONS** \*Optional items are additional cost

BOWS (included) Add Extra Bows\* Qty. \_\_\_\_ Do Not Include Bows

END CAPS (7" rise, front and rear side mount standard)

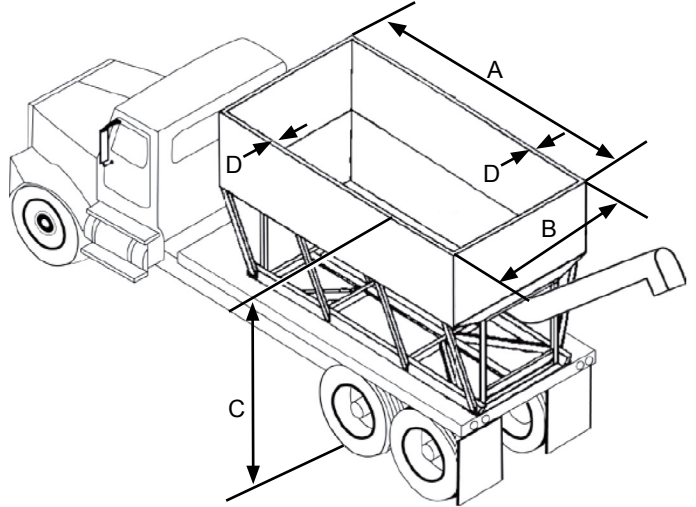
Material	Rise	Front	Rear
<input checked="" type="checkbox"/> Stainless Steel	7"	Top Mount	Top Mount
	12"	Side Mount	Side Mount

TARP FABRIC

18 oz

TARP COLOR (black tarp standard)

- Black Blue Orange Brown
- White Red Yellow Green
- Gray 18 oz. Multi-Color\* (select two colors)



NOTES/ADDITIONAL PART NUMBERS

---



---



---



---



---



P.O. Box 508  
 Jamestown, ND 58402  
 Phone: 800-233-4655  
 Fax: 800-592-4460  
 orderdesk@agricover.com

By submitting this order, I accept the terms and conditions of Agri-Cover, Inc. **NO RETURNS**