

SEMI GRAIN, PUP & FERTILIZER TENDER TRAILER BOX DETAIL SHEET

Accurate physical measurements are essential for proper tarp fit. DO NOT use universal box sizes. ALWAYS use actual tape measurements. Complete the form thoroughly. Missing information may delay ordering process.

CONTACT INFORMATION DATE _____

NAME _____

ADDRESS _____

CITY _____ STATE _____ ZIP _____

PHONE _____ EMAIL/FAX _____

SEMI PUP TENDER

MAKE _____ YEAR _____

TYPE OF TARP SYSTEM Systems up to 53' long

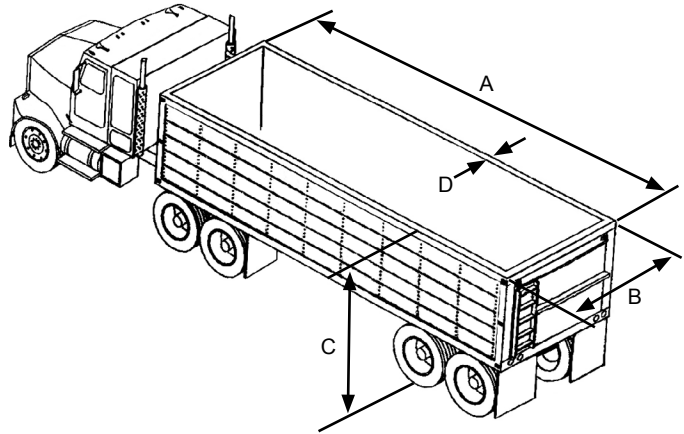
MANUAL ROLTEC SIDE LOCKING TARP
ELECTRIC EZ-LOC ROLL-UP TARP

EZ-LOC ROLL-UP TARP SST

CAB OPERATED AUTOLOCK ELECTRIC TARP

CONTROL BOX AUTOLOCK ELECTRIC TARP

CONTROL BOX WITH REMOTE SST



BOX MEASUREMENTS Exact measurements required

A _____ TOP OUTSIDE BOX LENGTH

(tapered trailers see illustration 1, give A1, A2, A3 & A4)

A1 _____ Tapered Top Length A3 _____ Front

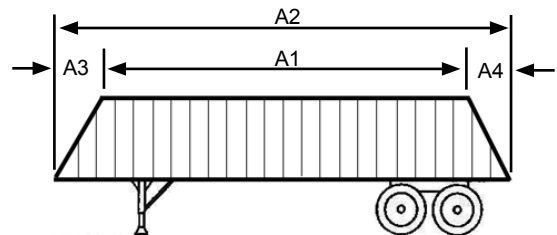
A2 _____ Tapered Lower Length A4 _____ Rear

B TOP OUTSIDE BOX WIDTH Front _____ Rear _____

C _____ BOX HEIGHT FROM GROUND

D _____ TOP RAIL WIDTH

ILLUSTRATION 1 TAPERED TRAILER



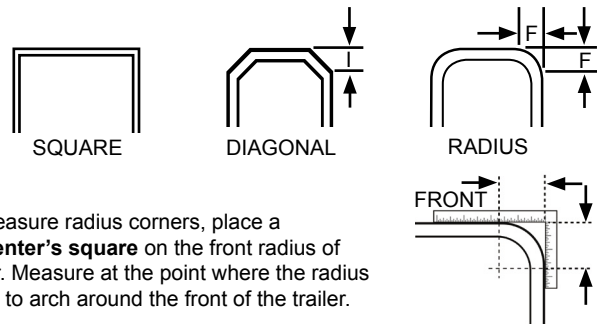
CORNER CONFIGURATION See illustration 2

SQUARE DIAGONAL RADIUS (additional cost)

F _____ OUTSIDE CORNER RADIUS (all radius fronts)

I _____ DIAGONAL DEPTH

ILLUSTRATION 2 FRONT CORNER CONFIGURATION



OPTIONS *Optional items are additional cost

BOWS (not included in kit) Add Bows* Qty. _____

END CAPS (galvanized, 7" rise, front & rear side mount standard)

Material	Rise	Front	Rear
Galvanized	7"	Top Mount	Top Mount
Aluminum*	12"	Side Mount	Side Mount
Stainless Steel*			

END CAP DEPTH

10" Deep (ROLTEC standard)

14" Deep (SRT-2 & EZ-LOC standard, ROLTEC* optional)

ADD BOLT-ON END CAP BRACKET* (EZ-LOC Systems only)

REAR FILLER* (see illustration 3)

J _____ Dimension of filler from back of gate to front of hinge pin where end cap will set (in.)

K _____ Dimension of drop (in.) (4" - 20" max.)

TARP FABRIC

18 oz. 22 oz.* Mesh (available in black only)

TARP COLOR (black tarp standard)

(22 oz. fabric available in black, white, gray, blue, red only)

Black Blue Orange Brown

White Red Yellow Green

Gray 18 oz. Multi-Color* (select two colors)

ILLUSTRATION 3 REAR FILLER OPTION

NOTES/ADDITIONAL PART NUMBERS



P.O. Box 508
Jamestown, ND 58402
Phone: 800-233-4655
Fax: 800-592-4460
orderdesk@agricover.com