

RIDGE POLE AND LOAD HOLES BOX DETAIL SHEET

Accurate physical measurements are essential for proper tarp fit. DO NOT use universal box sizes. ALWAYS use actual tape measurements. Complete the form thoroughly. Missing information may delay ordering process.

CONTACT INFORMATION DATE _____
 NAME _____
 ADDRESS _____
 CITY _____ STATE _____ ZIP _____
 PHONE _____ EMAIL/FAX _____
 BOX/TRAILER MAKE _____ YEAR _____

OPTIONS Optional items are additional cost

RIDGE POLE Cannot be ordered with load holes

RIDGE POLE POCKET \$103.00 **PN 80302** (does not include ridge pole or hardware)

Pocket on bottom of tarp (standard) Pocket on top of tarp

RIDGE POLE LENGTH

8' - 18' Box \$62.00 **PN 80373**

18' 1" - 35' 9" Box \$124.00 **PN 80375**

35' 10" - 53' 6" Box \$185.00 **PN 80389**

LOAD HOLES Cannot be ordered with ridge pocket

LOAD HOLES \$140.35 per hole (up to 4) Qty. ____ **PN 80311**.

DIMENSION A _____ (replacement tarps only)

NOTE: If dimension A is not defined by customer, ACI will place holes in the center of tarp.

LOAD HOLE LOCATIONS Complete dimensions below in inches, round to nearest inch

NOTE: If load holes are not defined by customer, ACI will place holes evenly spaced throughout the length of tarp.

Standard Roll Application (solid line below) ← — — — →

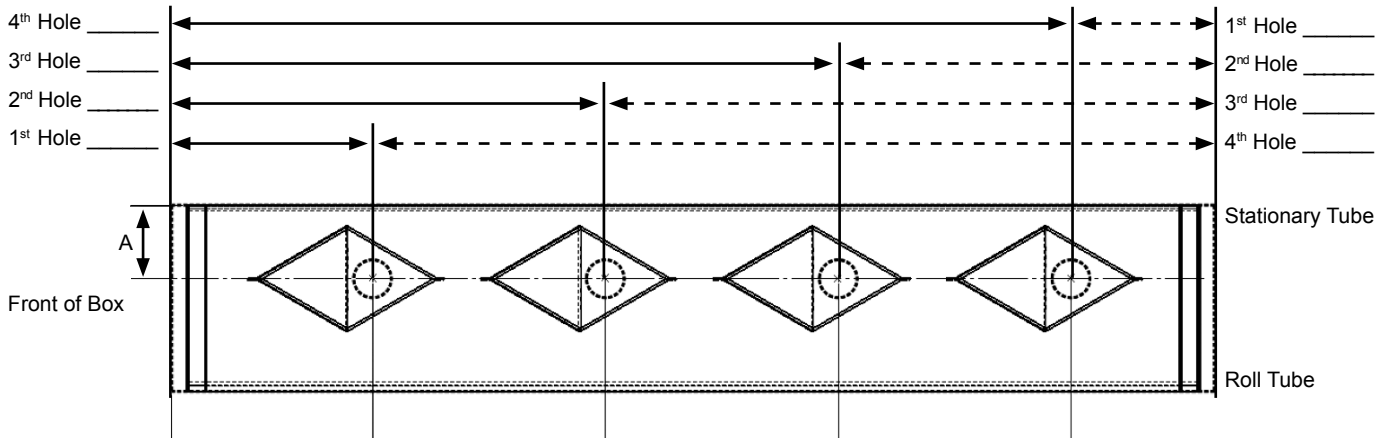
Measured all dimensions from **box edge**

Measured all dimensions from **tarp edge**

Reverse Roll Application (dashed line below) ← - - - →

Measured all dimensions from **box edge**

Measured all dimensions from **tarp edge**



NOTES/ADDITIONAL PART NUMBERS



P.O. Box 508
 Jamestown, ND 58402
 Phone: 800-233-4655
 Fax: 800-592-4460
 orderdesk@agricover.com

By submitting this order, I accept the terms and conditions of Agri-Cover, Inc. **NO RETURNS**