

REPLACEMENT TARP SHEET

Accurate physical measurements are essential for proper fitting tarp. Always use tape measurements. Do not use universal box sizes. Complete form along with appropriate application section in Systems Guide. Missing information may delay ordering process.

CONTACT INFORMATION

Name _____ Date _____
 Address _____
 City _____ State _____ Zip _____
 Phone _____ Email _____

MEASUREMENTS Exact Measurements Required

SERIAL NUMBER _____

NOTE: For easy tarp replacement on Agri-Cover® Roll Tarps made after 2008, locate serial number at rear of tarp on stationary tube side.

OR

FINISHED TARP SIZE

A _____ Finish Sewn Tarp Length

B _____ Finish Sewn Tarp Width

OR

BOX MEASUREMENTS

IMPORTANT: To account for fillers, measure from front to rear face of end caps.

C Top Outside Box Length _____

D Top Outside Box Width _____

E End Cap Rise 7" 12" Flat

ROLL TARP *Optional items are additional cost

SRT-2 SPOOL ROLL TARP

(3" aluminum roll tube with rope channel)

BOX	Belly Dump	Construction Dump	Other
TARP	18 oz.		
	Mesh* (Belly Dump and Construction Dump only)		
	Bow Reinforcement ^{3*}		
	Drain Holes ^{3*}		

EZ-LOC HD & EZ-LOC ROLL TARP

(3" or 2" aluminum roll tube with rope channel)

TARP	18 oz.	22 oz.*
	Mesh*	Bow Reinforcement ^{3*}
	Ridge Pole Pocket ^{3*}	Drain Holes ^{3*}

SIDE LOCKING TARP

(2" steel roll tube with nylon u-clamp through reinforced straps)

TARP	18 oz.	22 oz.*
	Bow Reinforcement ^{3*}	Ridge Pole Pocket ^{3*}
	Drain Holes ^{3*}	Nylon U-Clamp*

AUTOLOCK ELECTRIC TARP

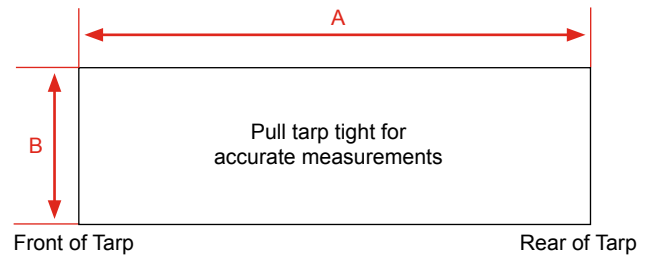
(3" aluminum roll tube with rope channel)

TARP	18 oz.	22 oz.*
	Mesh*	Bow Reinforcement ^{3*}
	Ridge Pole Pocket ^{3*}	Drain Holes ^{3*}
	Roller Guides*	

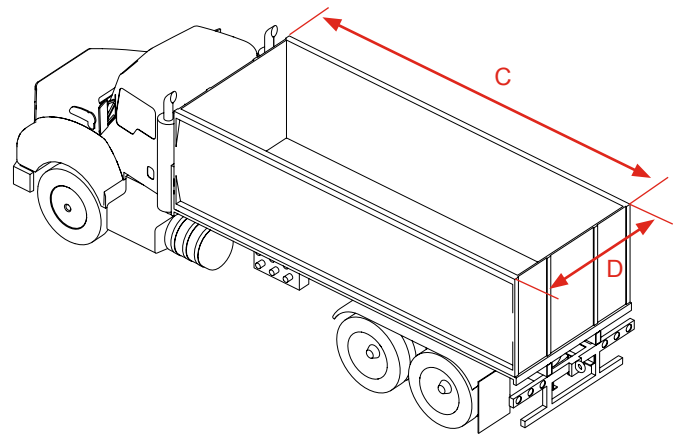
COLOR (22 oz. black, white, gray, blue, red available, mesh black only)

Black	Blue	Orange	Brown
White	Red	Yellow	Green
Gray	Dual Alternating Colors* (select two)		

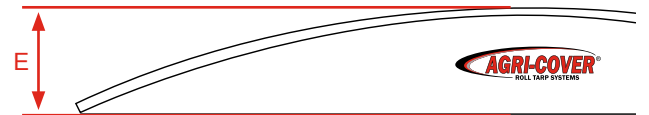
FINISHED TARP SIZE



BOX MEASUREMENTS



END CAP RISE



³Include corresponding box detail sheet.

By submitting this order, I accept the terms and conditions of Agri-Cover, Inc. **NO RETURNS**



3000 Hwy 281 SE
 Jamestown, ND 58401
 T (800) 233-4655
 F (800) 592-4460
 orderdesk@agricover.com