

PULL BEHIND TRAILERS BOX DETAIL SHEET

Accurate physical measurements are essential for proper fitting tarp. Always use tape measurements. Do not use universal box sizes. Complete form along with appropriate application section in Systems Guide. Missing information may delay ordering process.

CONTACT INFORMATION

Name _____ Date _____
 Address _____
 City _____ State _____ Zip _____
 Phone _____ Email _____

BOX MEASUREMENTS Exact Measurements Required

A _____ Top Outside Box Length
 Slant Wall Trailer A² _____ Bottom Outside Box Length
 A³ _____ Front Slant A⁴ _____ Rear Slant
 B Top Outside Box Width Front _____ Rear _____
 C _____ Box Height From Ground
 D _____ Top Rail Width

ROLL TARP SYSTEM *Optional items are additional cost

SRT-2 EZ-LOC HD EZ-LOC Side Locking

KIT MATERIAL

Galvanized Steel Stainless Steel

OPERATION

Manual Return _____ Electric* _____

ELECTRIC (see electric conversions for more information)

Control Box & Remote Switch Control Cab Operated

CONVERSION ROLTEC Rear Option _____

SRT-2 ECONOMICAL

HOIST w/o Hoist w/ Hoist Extra Wire* _____

TRAILER Lead Pup Extra Wire* _____

END CAPS

None OEM* Make & Model _____

MATERIAL Galvanized Aluminum* Stainless Steel*

RISE 7" 12"* Flat

DEPTH 10" 14"*

FRONT Side Mount Top Mount

REAR Side Mount Top Mount

BRACKETS Side* Top Z* Top Bolt Through

Quick Release*

FILLERS*

FRONT Metal Fabric REAR Metal Fabric

DEPTH I¹ _____ Front I² _____ Rear

MOUNT (metal only) Front Side Top Rear Side Top

DROP (fabric only) M _____ Front K _____ Rear

TARP

18 oz. 22 oz.* Mesh*

Bow Reinforcements^{3*} Drain Holes^{3*}

COLOR (22 oz. black, white, gray, blue, red available, mesh black only)

Black Blue Orange Brown

White Red Yellow Green

Gray Dual Alternating Colors* (select two)

RIDGE SUPPORT

None Strap Qty.* _____

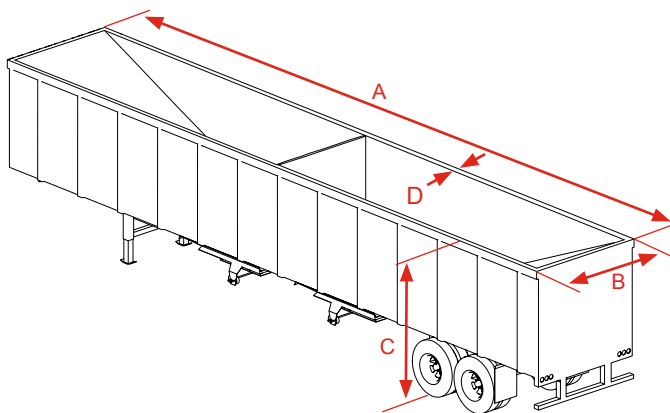
Pole^{3*} Rope* Qty.* _____

BOWS (included up to 28')

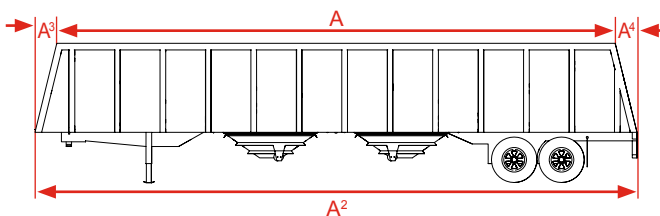
None Recommended Qty.* Custom* Qty.* _____

Heavy Duty Square* Qty.* _____ Aluminum HD* Qty.* _____

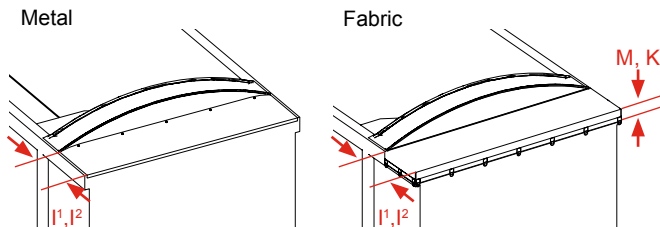
BOX MEASUREMENTS



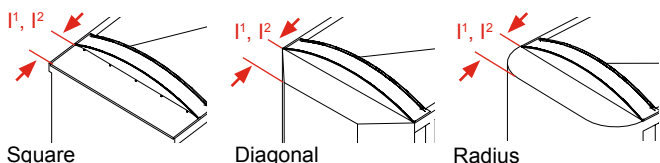
SLANT WALL TRAILER



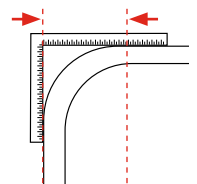
FILLERS



CORNER CONFIGURATION



For radius corners, use a carpenter's square to measure from where the radius starts to edge of trailer.



3000 Hwy 281 SE
 Jamestown, ND 58401
 T (800) 233-4655
 F (800) 592-4460
 orderdesk@agricover.com

³Include corresponding box detail sheet.

By submitting this order, I accept the terms and conditions of Agri-Cover, Inc. **NO RETURNS**