

FITTED TARP BOX DETAIL SHEET

Accurate physical, tape measurements are essential for proper fitting tarp. Complete form along with appropriate section in Parts Guide.

CONTACT INFORMATION

Name _____ Date _____
 Address _____
 City _____ State _____ Zip _____
 Email/Phone _____

BOX MEASUREMENTS Exact Measurements Required

Top Outside Box Length (A) _____
 Top Outside Box Width (B) _____

PRODUCT

Fitted Tarp

OPERATION

Manual

TARP

18 oz. 22 oz.
 Tarp Color(s) _____

DROP

6-11" 12-17" 18-23" 24"

CORNERS

2 4

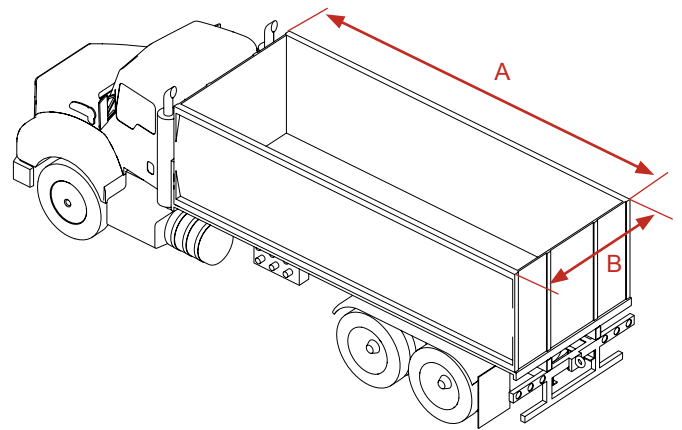
HARDWARE

Standard D-Rings Extra Row D-Rings Grommets Only

MISCELLANEOUS

Rubber Tarp Strap Qty. _____ Bolt On D-Ring Qty. _____
 Bungee Length _____

BOX MEASUREMENTS



ADDITIONAL OPTIONS AND ACCESSORIES	QTY.

ACI®
AGRI-COVER, INC.
 3000 Hwy 281 SE
 Jamestown, ND 58401
 T (800) 233-4655
 F (800) 592-4460
 orderdesk@agricover.com