

CONSTRUCTION DUMP BOX DETAIL SHEET

Accurate physical measurements are essential for proper fitting tarp. Always use tape measurements. Do not use universal box sizes. Complete form along with appropriate application section in Systems Guide. Missing information may delay ordering process.

CONTACT INFORMATION

Name _____ Date _____
 Address _____
 City _____ State _____ Zip _____
 Phone _____ Email _____

BOX MEASUREMENTS

Exact Measurements Required

Top Outside Box Length
 A¹ _____ Front of Box to Front Hinge Opening
 A² _____ Front Hinge Opening to Rear of Box

IMPORTANT: For extensions, measure top outside of extensions (tip-top).

B Top Outside Box Width Front _____ Rear _____
 C _____ Box Height From Ground
 D _____ Top Rail or Wood Extensions Width

ROLL TARP SYSTEM

*Optional items are additional cost

SRT-2

KIT MATERIAL

Stainless Steel

OPERATION

Manual _____ Electric* _____

ELECTRIC

(see electric conversions for more information)

Control Box & Remote _____ Switch Control _____ Cab Operated _____

TRAILER _____ Lead _____ Pup _____

Extra 6 Ga. Wire* (pup kits only) _____ ft.

Dual Pole Connector Kit* (pup kits only)

END CAPS

RUBBER AIR DAM (if none, assumed customer is supplying)

RISE	4"	Flat
FRONT	None	Air Dam with Aluminum HD Bow
REAR	None	Aluminum HD Bow

STAINLESS STEEL (if none, assumed customer is supplying)

RISE	7"	Flat*	
FRONT	None	Side Mount	Top Mount
REAR	None	Top Mount	Aluminum HD Bow
BRACKETS	Side	Top Z*	Top Bolt Through

FILLERS

(stainless steel end caps only)

END CAP FLUSH WITH FACE OF BOX

(filler pans & additional brackets may be required, not available from ACI)

END CAP SET BACK FROM FACE OF BOX (supplied by ACI)

FRONT		Metal*	Fabric*	
DEPTH		I' _____	Front	
MOUNT (metal only)		Front	Side	Top
DROP (fabric only)		M _____	Front	

TARP

18 oz. _____ Mesh* _____ Drain Holes³*

COLOR

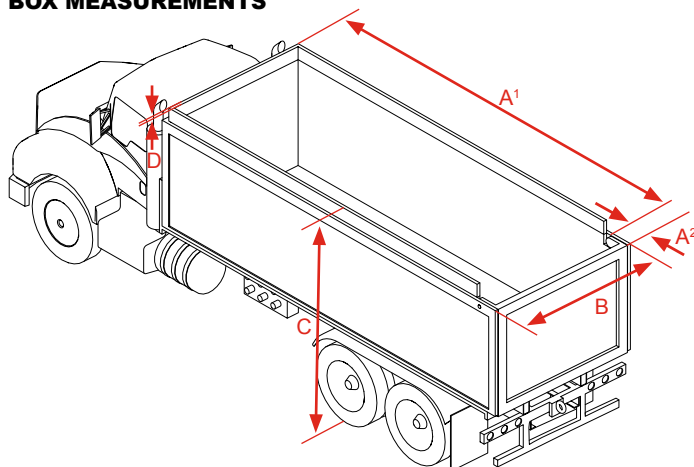
(mesh black only)

Black	Blue	Orange	Brown
White	Red	Yellow	Green
Gray	Dual Alternating Colors* (select two)		

BOWS

Aluminum HD* Qty.* _____ Heavy Duty Square* Qty.* _____

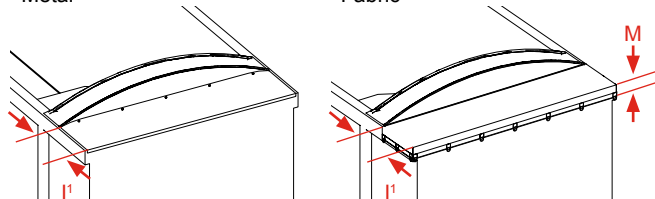
BOX MEASUREMENTS



FILLERS

Metal

Fabric



CORNER CONFIGURATION

I'

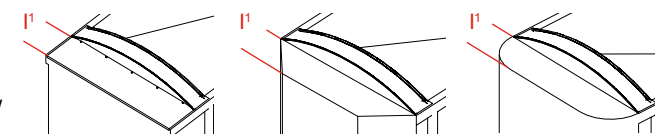
I'

I'

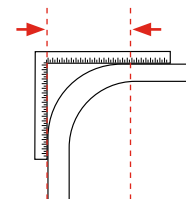
Square

Diagonal

Radius



For radius corners, use a carpenter's square to measure from where the radius starts to edge of trailer.



³Include corresponding box detail sheet.

By submitting this order, I accept the terms and conditions of Agri-Cover, Inc. **NO RETURNS**



3000 Hwy 281 SE
 Jamestown, ND 58401
 T (800) 233-4655
 F (800) 592-4460
 orderdesk@agricover.com