

BOX EXTENSION BOX DETAIL SHEET

Accurate physical, tape measurements are essential for proper fitting box extension. Complete form along with appropriate section in Systems Guide.

CONTACT INFORMATION

Name _____ Date _____
 Address _____
 City _____ State _____ Zip _____
 Email/Phone _____

MEASUREMENTS Exact Measurements Required

BOX MEASUREMENTS

Top Outside Box Length (A) _____

Top Outside Box Width (B) _____

- OR -

EXISTING HOLE MEASUREMENTS

Length From Center of Holes (C) _____

Width From Center of Holes (D) _____

MISCELLANEOUS (see box extension section for more information)

Box Extension Divider Panel Qty. _____

Bow Bin Divider Qty. _____

Rise 7" _____ 12" _____

No Window _____ Window _____

Bow Bin Divider Hardware Qty. _____

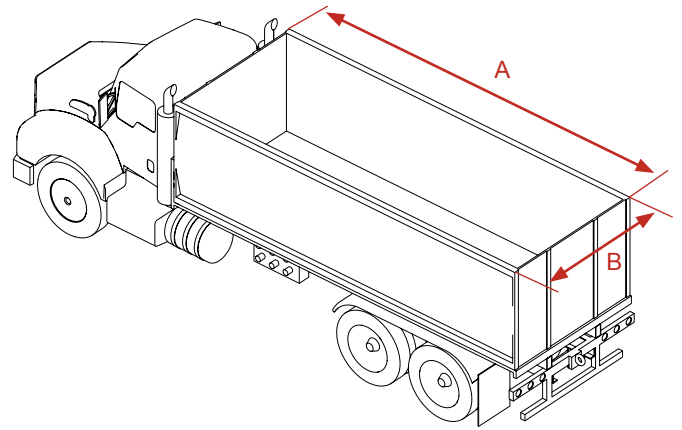
Top Mount End Cap Hardware Qty. _____

Top Mount Bow Hardware Qty. _____

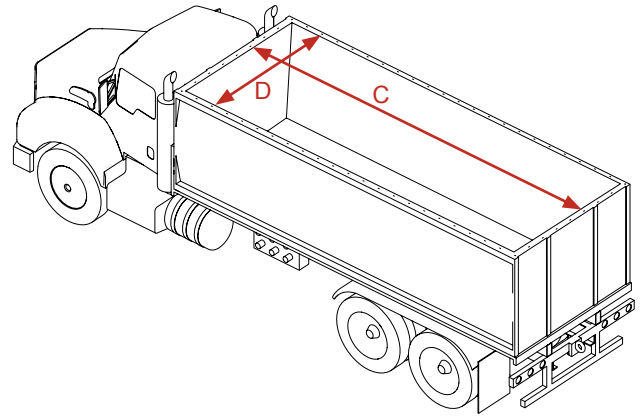
L Bracket Kit Qty. _____

NOTE: Needed for New Leader boxes with threaded inserts, or box rails where backer hardware can't be used. L Bracket Kit required every 2 ft.

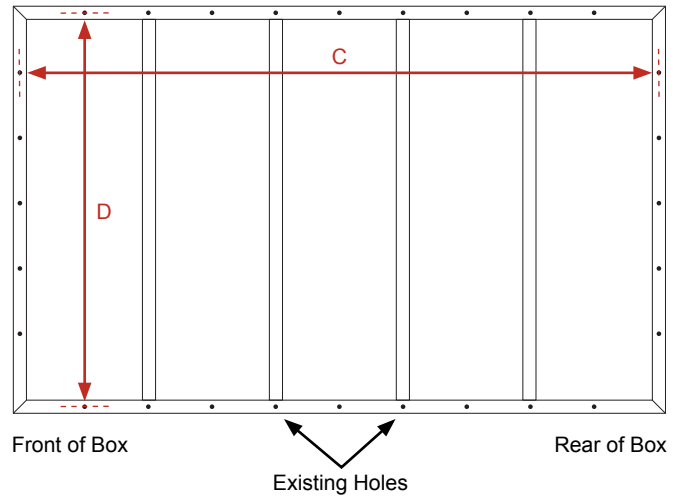
BOX MEASUREMENTS



EXISTING HOLE MEASUREMENTS



ADDITIONAL OPTIONS AND ACCESSORIES	QTY.



3000 Hwy 281 SE
 Jamestown, ND 58401
 T (800) 233-4655
 F (800) 592-4460
 orderdesk@agricover.com