

BELLY DUMP BOX DETAIL SHEET

Accurate physical measurements are essential for proper fitting tarp. Always use tape measurements. Do not use universal box sizes. Complete form along with appropriate application section in Systems Guide. Missing information may delay ordering process.

CONTACT INFORMATION

Name _____ Date _____
 Address _____
 City _____ State _____ Zip _____
 Phone _____ Email _____

BOX MEASUREMENTS Exact Measurements Required

A _____ Top Outside Box Length
 B Top Outside Box Width Front _____ Rear _____

IMPORTANT: For extensions, measure top outside of extensions (tip-top).

C _____ Top Trailer Wood Extensions Width

ROLL TARP SYSTEM *Optional items are additional cost

SRT-2

KIT MATERIAL

Galvanized Steel

OPERATION

Manual Electric*

ELECTRIC

Control Box & Remote Switch Control Cab Operated

TARP

18 oz. Mesh* Drain Holes³*

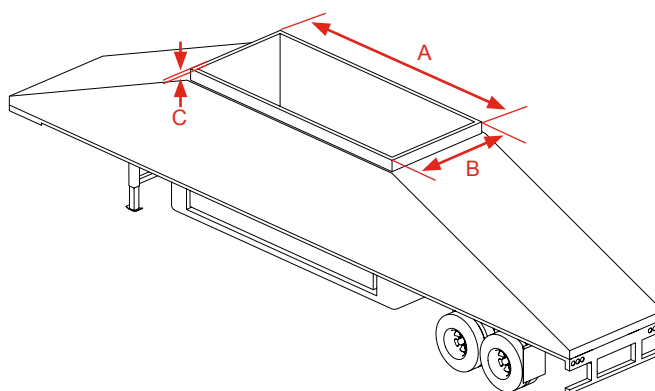
COLOR (mesh black only)

Black	Blue	Orange	Brown
White	Red	Yellow	Green
Gray	Dual Alternating Colors* (select two)		

MISCELLANEOUS

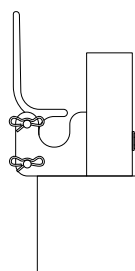
- Quick Release Aluminum Tarp Stops (5" offset)
- Quick Release Aluminum Tarp Stops (tall w/ 1" angled spacer)
- Quick Release Aluminum Tarp Stops (5" offset w/ 1" angled spacer)
- Spacer Bracket Kit

BOX MEASUREMENTS

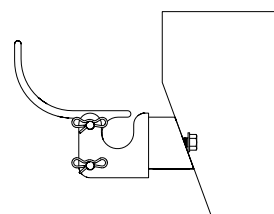


TARP STOP

Standard



Angled Spacer*



³Include corresponding box detail sheet.

By submitting this order, I accept the terms and conditions of Agri-Cover, Inc. **NO RETURNS**



3000 Hwy 281 SE
 Jamestown, ND 58401
 T (800) 233-4655
 F (800) 592-4460
 orderdesk@agricover.com