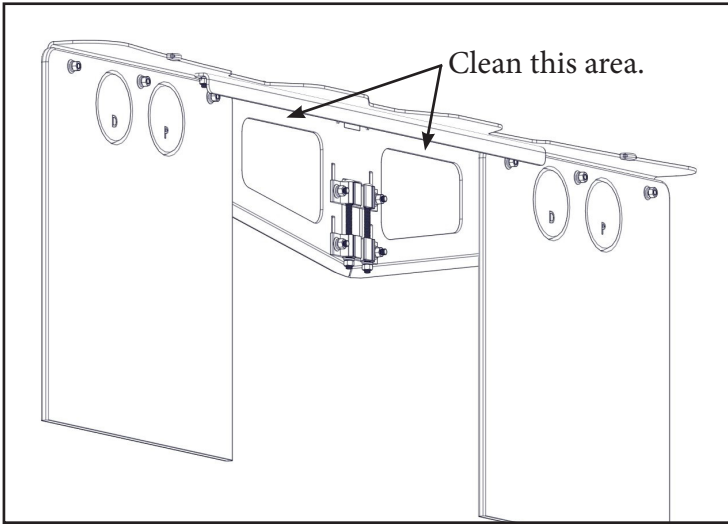
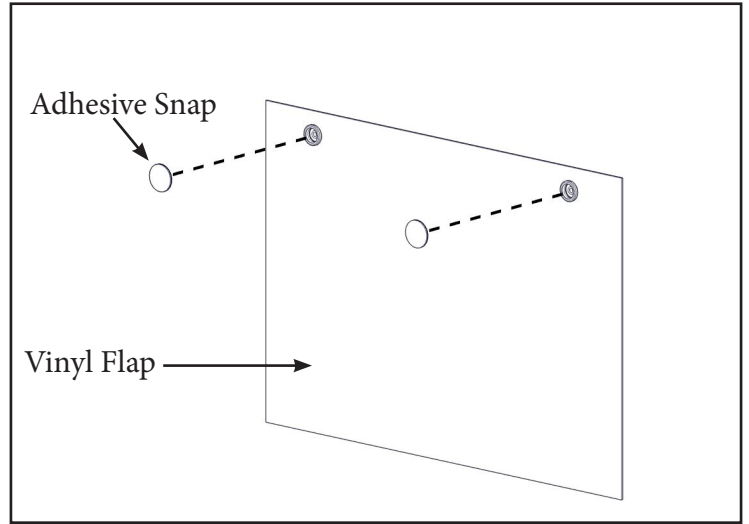


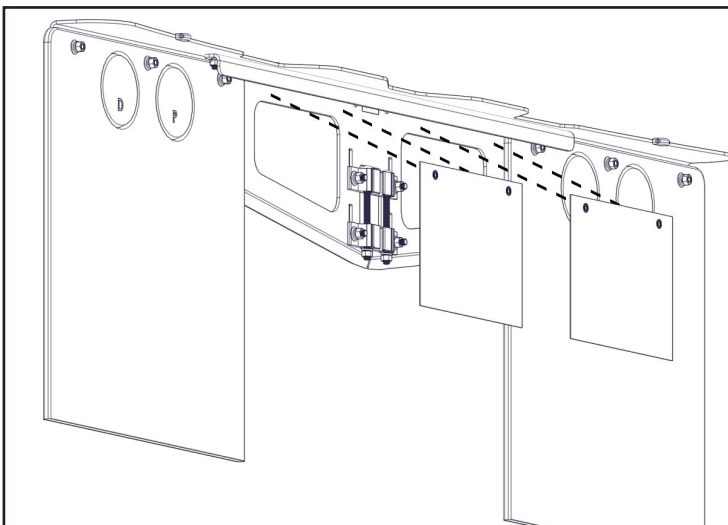
Tools needed: ● Eye Protection
● Scissors



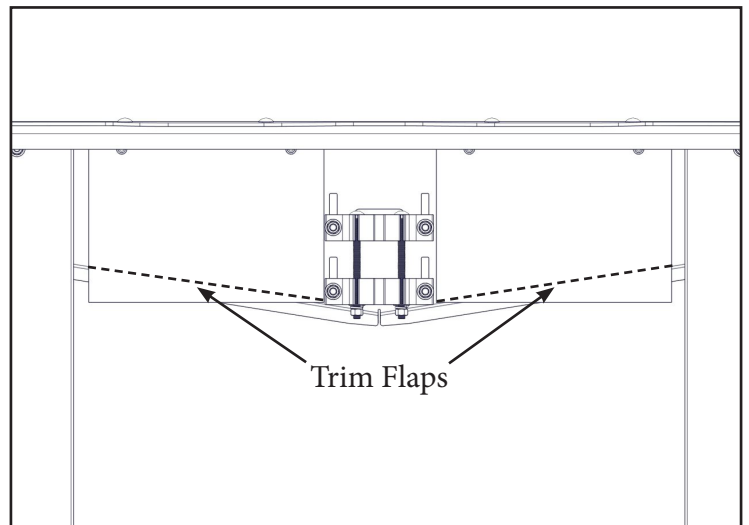
1. Use Alcohol wipe to clean backside of mud flap frame.
NOTE: If adding flaps to an existing set of mud flaps, thoroughly clean backside of frame prior to using alcohol wipe.



2. Attach adhesive snaps to vinyl flaps. Do not peel protective layer off now.



3. Peel protective layer off adhesive pads. Do not touch adhesive with finger. Adhere pad to back of frame as shown in Figure 3. Press pad firmly onto mud flap frame.



4. Trim bottom of flaps to match the angle of the frame (See Figure 4)