

ROLL UP TRUCK BOX COVER SPECIAL SIDE RAIL CLAMPING INSTRUCTIONS



2001-03 FORD F-150 SUPER CREW AND 2004 SUPER CREW HERITAGE

Read and follow these special instructions along with the standard instructions carefully before installing or using this cover.

NOTICE TO INSTALLER: Even if familiar with product, read special instructions prior to installation as improvements may be made without notice. Always handle components with care. When done, these special instructions must be given to the consumer.

NOTICE TO CONSUMER: Before using this product, read special instructions. Save these special instructions for future reference.

NOTICE TO INSTALLER/CONSUMER: These instructions supersede the side rail installation step found in the standard instructions. After side rails are installed, resume standard instructions.

PREPARATION

TOOLS NEEDED

- (1) 1/2" Wrench
- (2) Locking pliers
- (1) Protective eyewear

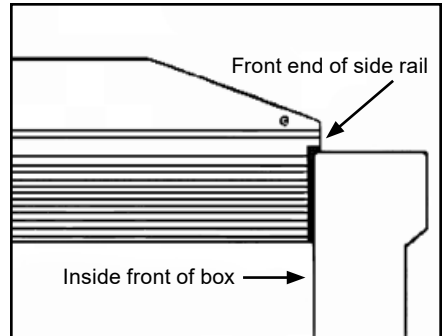
▲ CAUTION: Over torquing hardware may damage components. Do not use impact tools.

NOTE: To hold side rails in place to install clamps, (2) Locking pliers and assistance from another person are recommended for this Step.

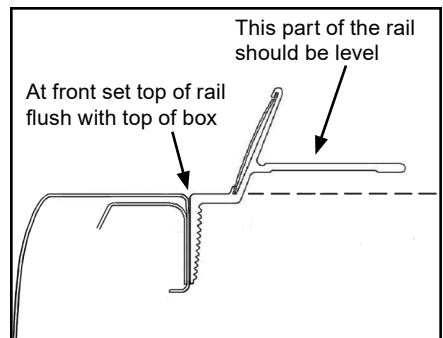
1. INSTALLING SIDE RAILS

A. Position side rail with weather strip against inside lip of box. Push side rail forward until it touches front of box.

NOTE: End of rail with strike goes to rear.

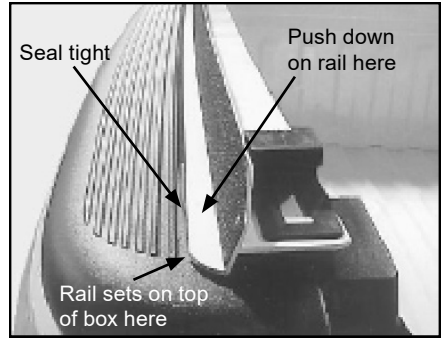


B. At front, adjust top of side rail flush with top of box. Then secure front of side rail to box with locking pliers. See locking pliers at front in illustration on page 3.



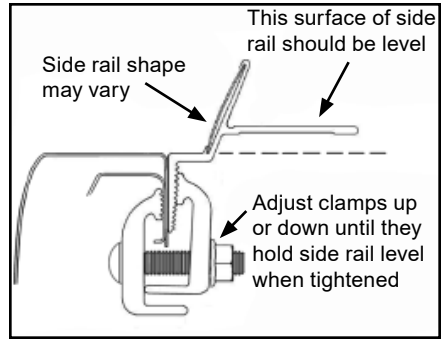
1. INSTALLING SIDE RAILS (Continued)

C. At rear of box, side rail will set on top of box. Push down firmly on rear of side rail until weather seal is compressed tight to top of box. Then secure rear of side rail to box with locking pliers.



D. Start at front of box. Install 1st clamp 1-1/2" from inside of box.

IMPORTANT: Before using wrench on clamp, ensure clamp teeth engage grooves in side rail, turn nut finger tight and then use wrench to secure side rail to truck.



E. Finish clamp installation for remaining clamps illustrated in diagram below.

F. Repeat installation steps for side rail on opposite side.

G. When done, ensure all clamps are fully tight on both side rails.

IMPORTANT: Install all 4 clamps on each side rail even if you have to move them closer together

H. For remaining cover installation, refer to standard instructions.

