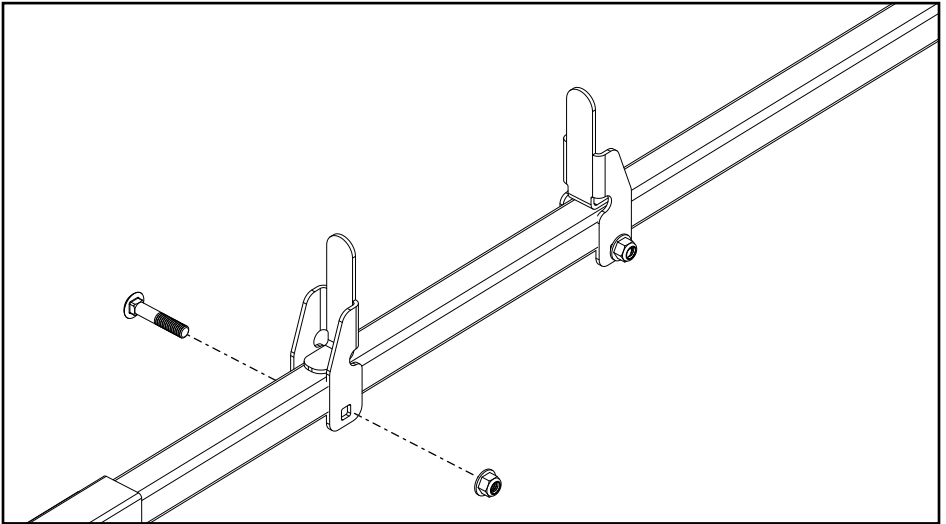


LOAD DIVIDER ASSEMBLY INSTRUCTIONS



Load dividers are supplied in a set of two. Use these instructions to assemble load dividers.

NOTICE TO INSTALLER: Even if familiar with hardware, read instructions prior to installation as improvements may be made without notice. Always handle components with care. When done, these instructions must be given to the consumer.

NOTICE TO CONSUMER: Before using this product, read these instructions. Save these instructions for future reference.

PREPARATION

TOOLS NEEDED

- Protective eyewear
- 9/16 wrench

NOTE: Hardware components and appearance may vary.

1. ASSEMBLING LOAD DIVIDERS

- A. Select desired location to mount load divider (typically in pairs on front and rear bar).
- B. Position load dividers on bar as shown, insert carriage bolts and start lock nuts.
- C. Adjust each load divider to desired spacing and turn lock nuts tight.

NOTE: Always keep bolts and nuts fully tight on load dividers.

