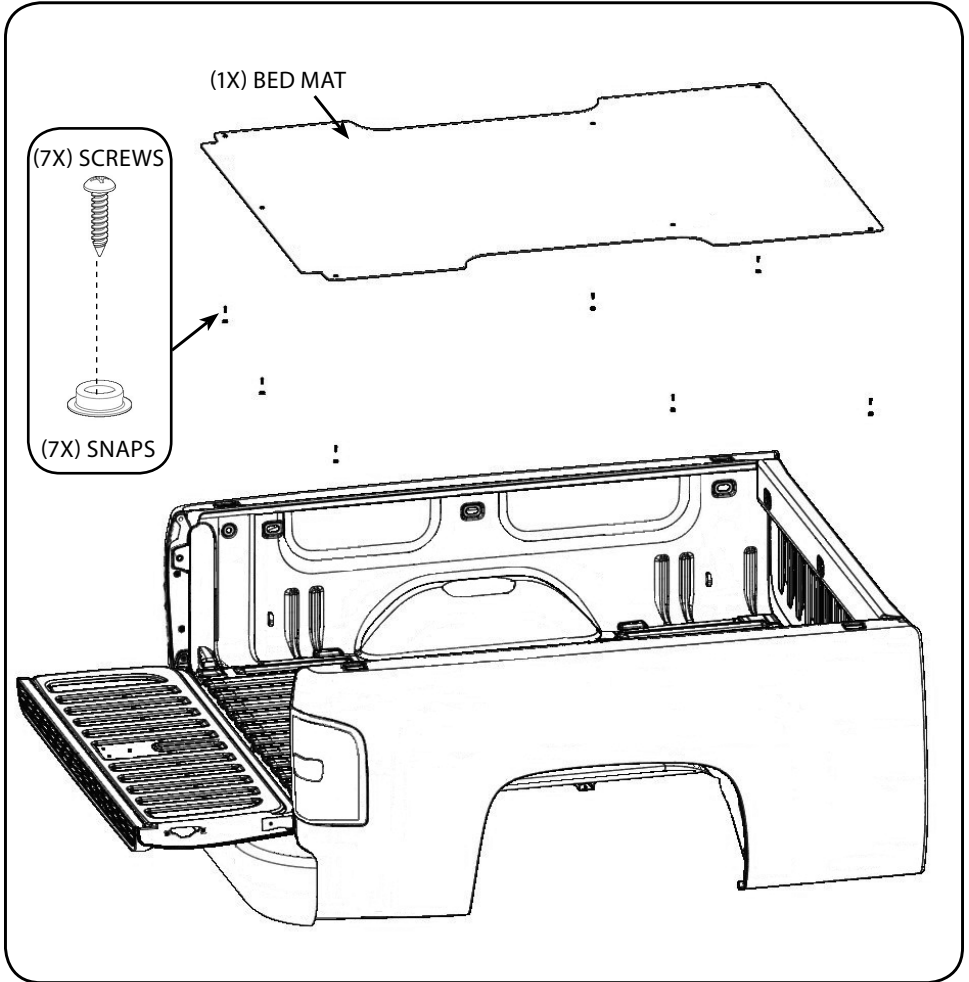




# INSTALLATION INSTRUCTIONS



## TOOLS

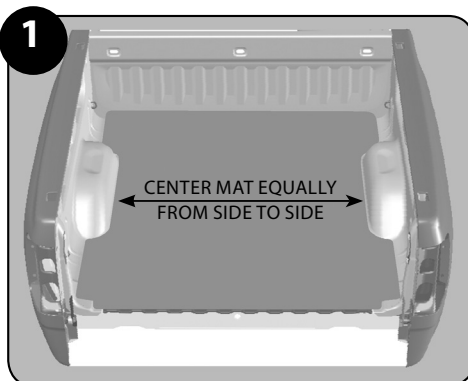
- Drill with 7/64" Bit (recommended) or 3/32" Bit
- #2 Phillips Screw Driver
- Tape Measure
- Protective Eyewear
- Marking Pen

## PREPARATION:

- Wash and dry truck bed.
- **CAUTION:** BEFORE DRILLING holes, always visually inspect each location to be certain drilling will not interfere with concealed wiring harness, fuel lines or other areas of concern.
- If drilling into bed floor is not an option, an adhesive snap kit (#80182) is included. (instructions for adhesive snap kit are on back page)
- Trucks with bed accessories such as a fifth wheel hitch requires small slit cuts to allow accessory to protrude through Bed Mat surface.
- Bed Liners-the bed mat and its installation is compatible with spray on bed liners.
- Do not attempt to install this product on any vehicle other than the one it is specifically intended for.

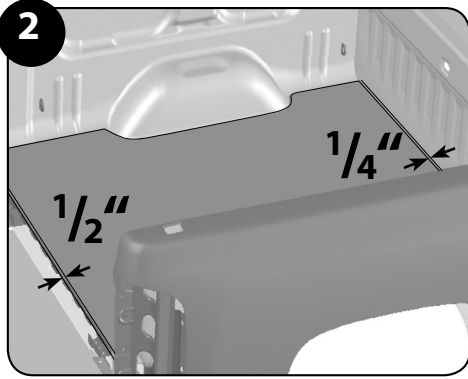
**Cleaning your ACCESS Truck Bed Mat:** The mildew resistant Bed Mat base will not absorb liquids. Its carpet fiber top has been designed to resist stains and deterioration from most chemicals, gas and oils. By following these cleaning practices, your Bed Mat will provide many years of service.

1. A vacuum, broom, brush, compressed air or pressure washer can be used to clean dirt, grime, sand etc.
2. Cleaning tough jobs such as gasoline, oil and chemical leaks use a detergent soap with degreaser and water. Scrub or pressure wash as needed and rinse clean.

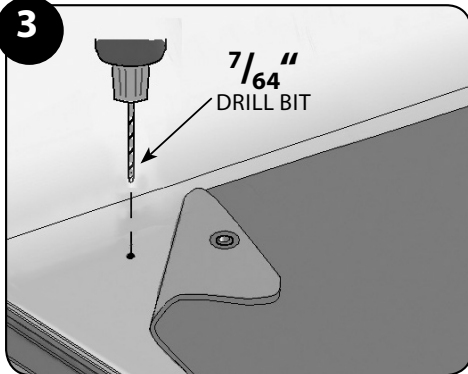


Lay bed mat on truck bed carpet side up. Center it from side to side between wheel wells.

**Note: Wheel well locations and sizes are model specific. For models without wheel wells, center mat side to side between truck bed walls.**

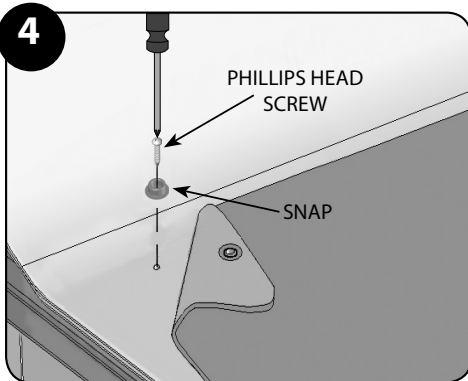


Adjust mat at front (behind cab) 1/4" away from box wall. Adjust mat at rear 1/2" away from edge of bed.

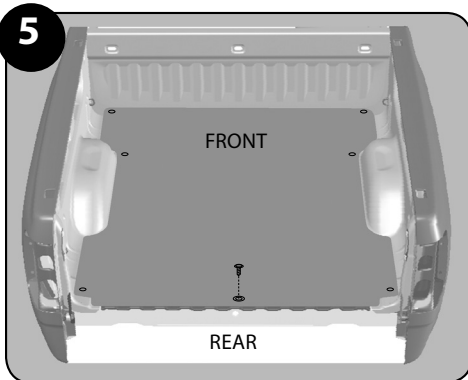


Starting at rear left corner, use hole in snap attached to mat as template to mark location to drill. Lift corner of mat up and drill 7/64" hole into surface layer of truck bed. If using 3/32" drill bit, ream out holes to be larger.

**NOTE: Drilling into truck bed will create metal shavings. Remove all shavings from underneath bed mat.**



With corner of mat lifted, position male snap over hole and fasten with Philips screw. **Use care not to strip threads or snap screws.** Let corner of mat down and press snap together. Repeat procedure on opposite rear corner. Next, install each snap located near wheel wells then install snaps located at each corner behind cab.



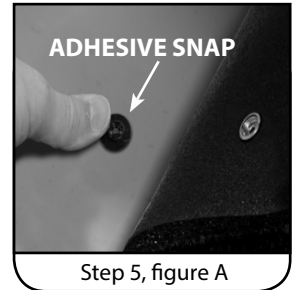
Finish installing remaining snap at rear.

# ALTERNATE INSTALLATION

## ADHESIVE SNAP KIT INSTRUCTIONS (#80182)

**NOTE: Temperature application range for best results is 70° to 100° F. Minimum suggested application temperature is 60° F. Refer to instructions in snap kit for additional information and set times.**

- 1) Attach each adhesive snap (7) to snaps on bottom of bed mat. **Do not peel protective layer off adhesive now.**
- 2) Position bed mat on truck bed as shown in steps 1 and 2 above.
- 3) Starting at rear left corner of bed mat, lift corner up out of the way. Inspect area on bed where snap pad will adhere. If needed, trim cut adhesive pad to fit flat surface of bed. Use alcohol wipe to clean bed surface where adhesive snap will adhere. Let cleaned area dry. Make sure bed mat is in its correct position.
- 4) Peel plastic off adhesive pad. **Do not touch adhesive with finger.** Let mat unfold to allow adhesive pad contact cleaned bed surface. Press it firmly onto bed.
- 5) Gently lift bed mat to separate snaps. Press directly down on snap for maximum adhesion, working all around edges and center of snap. **See Figure A.** Reattach snaps together.
- 6) Repeat procedure for each adhesive snap location, one snap at a time. Work from tailgate end toward cab.



## MANUFACTURER'S LIMITED WARRANTY

Agri-Cover, Inc. extends the following limited warranty on its ACCESS® Truck Bed Mat for Utility Vehicles to the original retail Purchaser. Agri-Cover, Inc. warrants its Truck Bed Mat to be free from defects in material and workmanship under normal use for one (1) year from date of manufacture unless accompanied by proof of purchase. ANY IMPLIED WARRANTY APPLICABLE TO THE TRUCK BED MAT IS LIMITED IN DURATION TO ONE YEAR FROM THE DATE OF MANUFACTURE UNLESS ACCOMPANIED BY PROOF OF PURCHASE.

Agri-Cover's sole obligation under this warranty or any implied warranty is limited to the repair or replacement at its option, of defective parts only. No labor or service allowance is given or implied. IN NO EVENT SHALL AGRI-COVER, INC. BE LIABLE FOR INCIDENTAL, CONSEQUENTIAL, OR SPECIAL DAMAGES. Some states do not allow limitations on how long an implied warranty lasts or exclusions of incidental or consequential damages, so the above limitations and exclusions may not apply to you. For warranty performance call our Customer Service Department at 701-251-1427 to determine if a replacement part is needed or if the bed mat needs to be returned for inspection and repair. Warranty registration must be on file and/or proof of original purchase (detailed and dated receipt) required for warranty to be effective. Goods to be returned must have a pre-authorized RA# (Returned Authorization Number) - obtained by calling the number above. Mark the number on the package and ship it freight prepaid to address below. Agri-Cover will pay freight to return goods to sender. This warranty does not cover any failure due to abuse, misuse, alteration, neglect, improper assembly or installation, or improper maintenance. This warranty gives you specific legal rights and you may have other rights which vary from state to state.

**Agri-Cover, Inc., Customer Service Dept.  
3000 Hwy 281 SE, PO Box 508, Jamestown, ND 58402**

**Phone (701)251-1427**