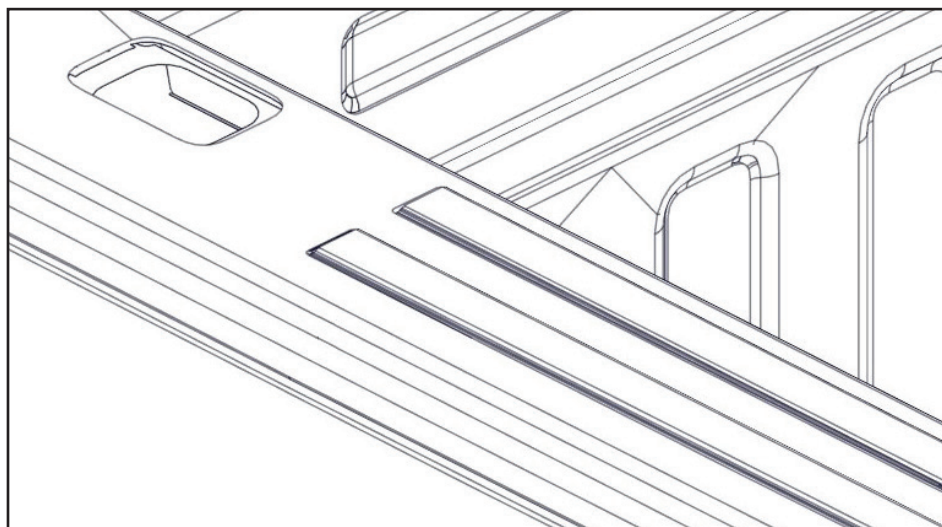


TRUCK BED RACK SPECIAL STAKE POCKET INSTRUCTIONS



2004-ON FORD F-150

Use these instructions to locate and trim stake pockets to prepare them for truck bed rack clamping hardware.

NOTICE TO INSTALLER: Even if familiar with hardware, read instructions prior to installation as improvements may be made without notice. Always handle components with care. When done, these instructions must be given to the consumer.

NOTICE TO CONSUMER: Before using this product, read these instructions. Save these instructions for future reference.

PREPARATION

TOOLS NEEDED

- Protective eyewear
- Utility knife
- Drill with 1/2" bit
- Marking pen
- Tape measure

NOTE: Hardware components and appearance may vary.

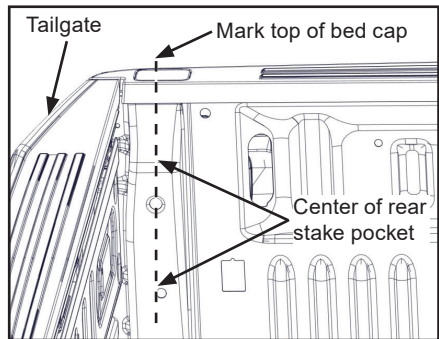
SAFETY INFORMATION

- Always exercise caution when using a utility knife.
- Always cut away from yourself and other people.

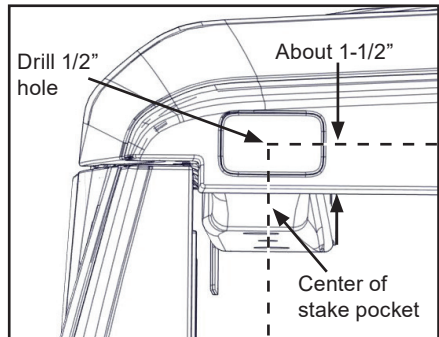
NOTE: Some stake pockets have removable covers. If removable covers are present, use a flat object to remove them. Always check if your vehicle has removable covers before cutting your bed rails.

1. LOCATING REAR CONCEALED STAKE POCKETS

A. On inside of box, locate center of stake pocket column then use as guide to mark on top of plastic bed cap.



B. On top of plastic bed cap, measure approximately 1-1/2" from inside edge of box and make another line that intersects with first center line.



C. Drill a 1/2" hole through plastic bed cap where lines intersect.

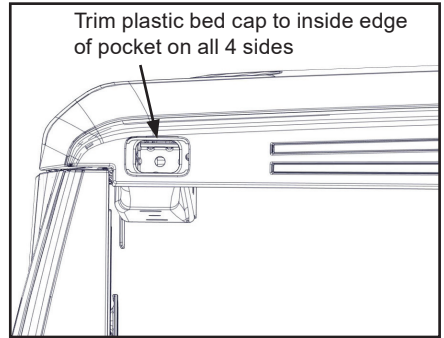
1. LOCATING REAR CONCEALED STAKE POCKETS (Continued)

D. Make a series of cuts working out toward edge on all 4 sides until finding metal edges of stake pocket.

E. Trim plastic bed cap all along sides of metal pocket.

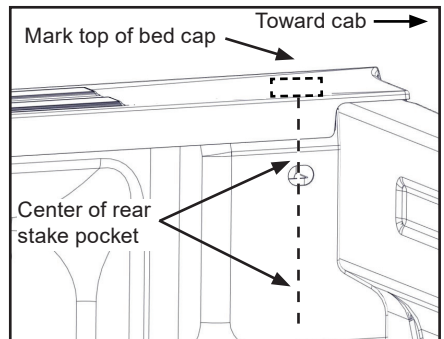
F. Repeat for remaining rear stake pockets.

G. Refer to standard owner's manual to install truck bed rack system.

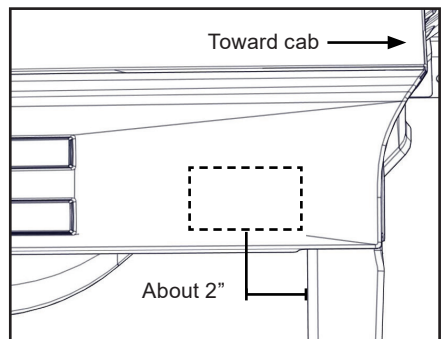


2. LOCATING FRONT CONCEALED STAKE POCKETS

A. On inside of box, locate center of stake pocket column then use as guide to mark on top of plastic bed cap.



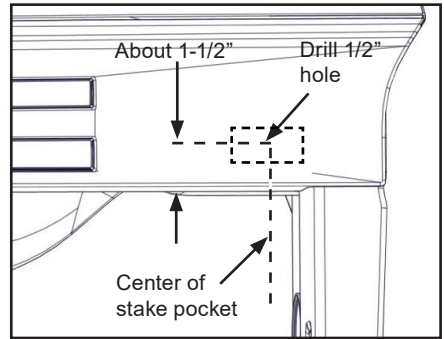
NOTE: For 2015-ON F-150s, the center of the front stake pocket is about 2" back from the rear surface of the bulk head.



2. LOCATING FRONT CONCEALED STAKE POCKETS (Continued)

B. On top of plastic bed cap, measure approximately 1-1/2" from inside edge of box and make another line that intersects with first center line.

C. Drill a 1/2" hole through plastic bed cap where lines intersect.



D. Make a series of cuts working out toward edge on all 4 sides until finding metal edges of stake pocket.

E. Trim plastic bed cap all along sides of metal pocket.

F. Repeat for remaining front stake pockets.

G. Refer to standard owner's manual to install truck bed rack system.

