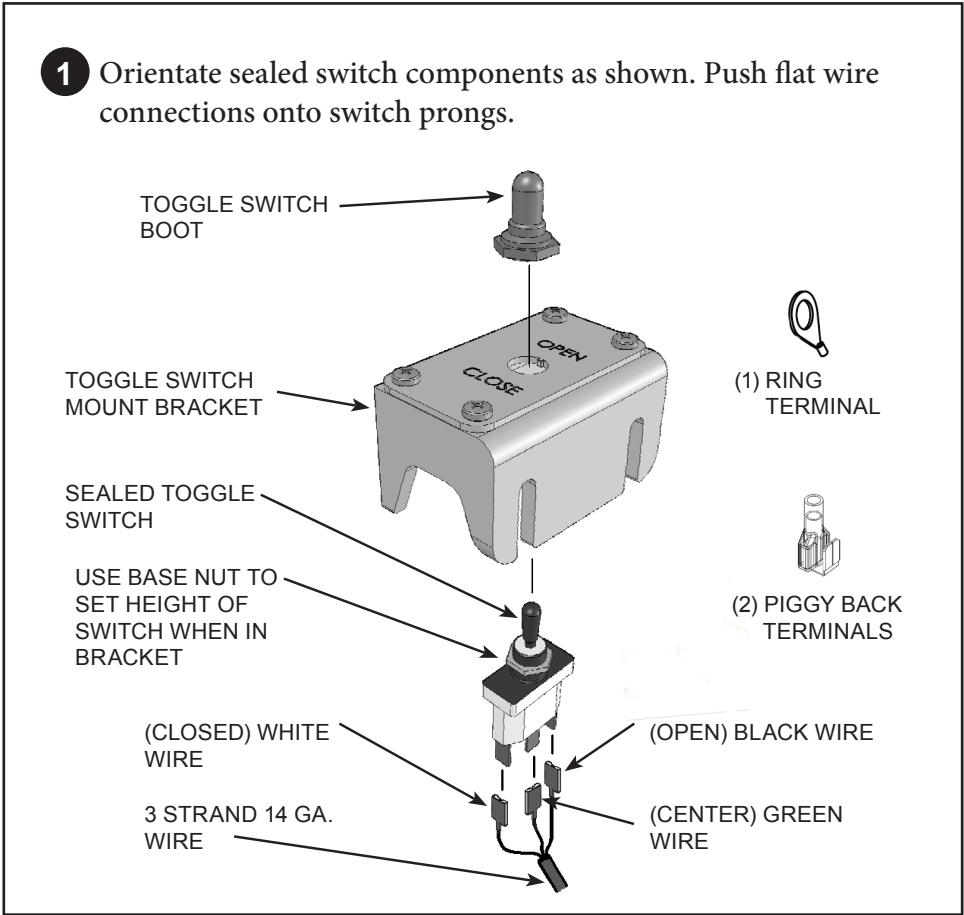


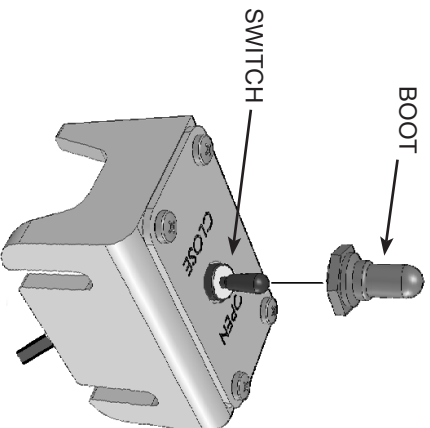
NOTE TO INSTALLER: This sealed switch kit is for installations where it is necessary to mount the switch in an exterior location. It can be wired as a replacement switch or to work in conjunction with standard interior cab switch.

Tools needed: Wire cutter, wire crimper, protective eyewear, Drill with #3 Phillips long bit

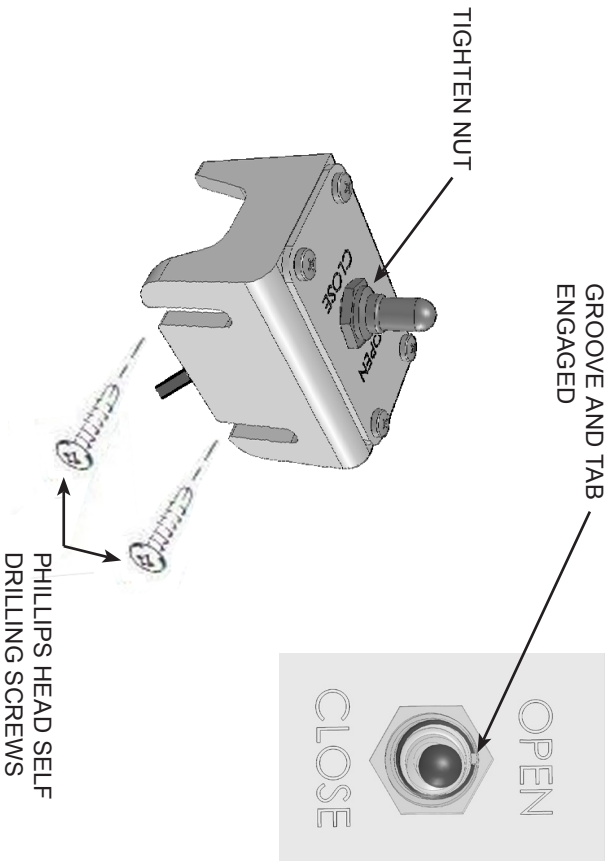
WARNING: Before attempting to install this switch kit, disconnect wire from negative (-) Battery post.



- 2** Push toggle switch assembly up through bottom of mounting bracket and align groove on base of toggle switch with tab on mount bracket.



- 3** Push sealed toggle boot onto toggle switch and turn nut inside sealed boot on to switch base. Make sure groove in base and tab on bracket are engaged, then tighten nut. Mount switch bracket to desired location with self drilling Phillips head screws.



- 4** At solenoid flat terminal with existing 14ga. black wire and white wire, replace push-on terminal with a new “piggy back” terminal. Reconnect those wires to solenoid with the extra prong facing out. Attach push on terminals to new white wire and black wire. Connect those wires to piggy back terminals. See diagram.

- 5** At solenoid post for red heavy wire, hold base nut and remove top nut that holds red and green wire. Feed new green wire from toggle switch through rubber boot. Attach a ring terminal to end of new green wire. When done, connect all 3 ring terminals onto the same solenoid post. Hold base nut and tighten top nut. See diagram.

Reattach wire on negative battery post and test operation. If system runs backwards, reverse wires on piggy back terminals at solenoid.

