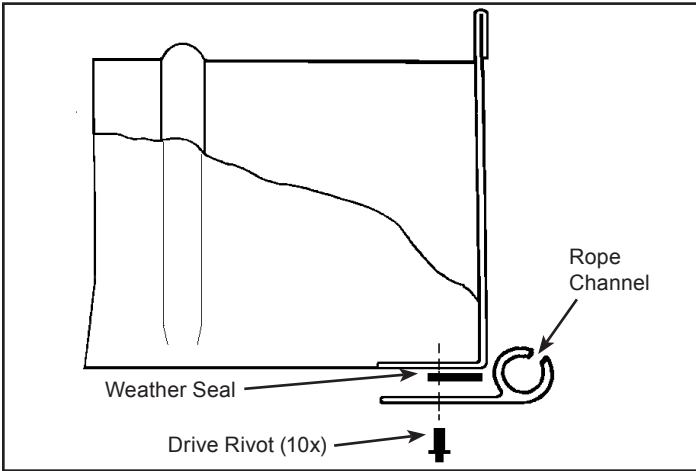


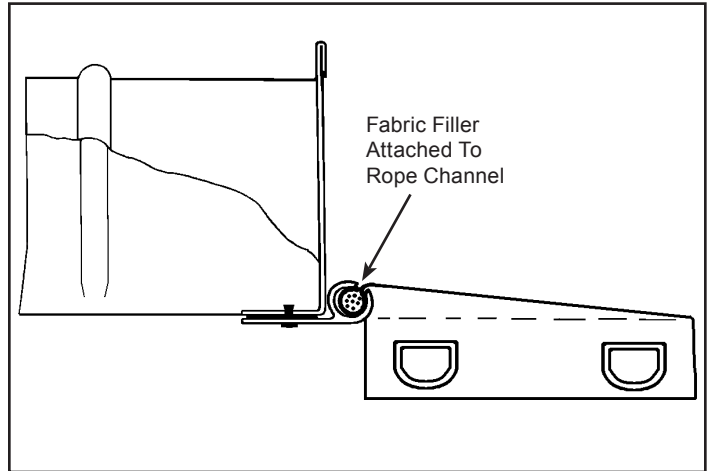
End Cap with Fabric Filler Installation Instructions

NOTE: Before proceeding with filler, see owners manual on typical weather seal application for end caps and finish that step first.

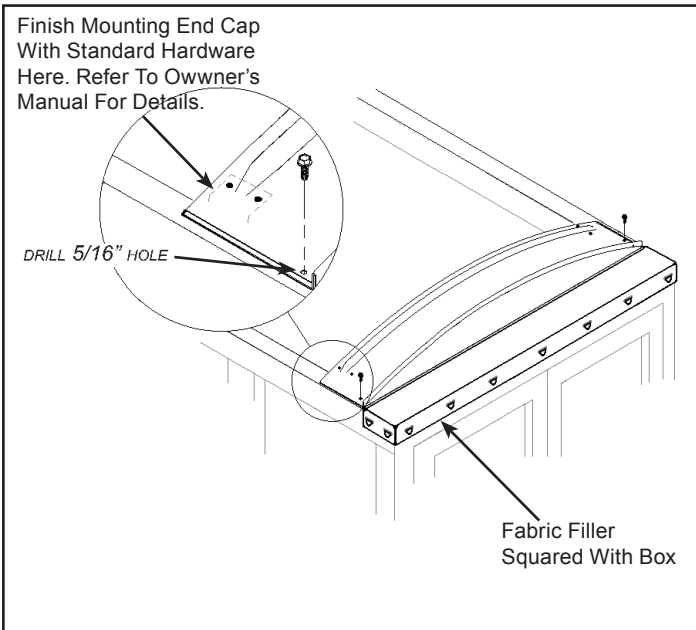
CAUTION: DO NOT STAND OR WALK ON END CAP OR FABRIC FILLER



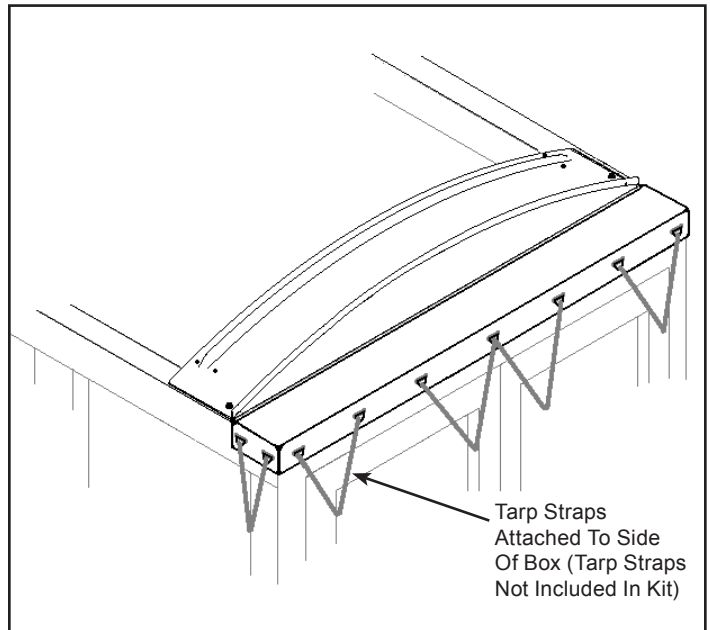
1 With cap laying on flat surface, apply weather seal to bottom of end cap as shown. Align rope channel along bottom of cap with opening facing as shown. Cut rope channel flush with ends of cap. Drill approximately ten 7/32" holes evenly spaced. Insert rivet and set with hammer.



2 Align one end of rope/hem in fabric filler with rope channel on end cap and slide fabric fully on to end cap.



3 Set cap with fabric filler on top of box and position it so filler sides hang over box. Adjust until filler pulls snug and squares up with corners of box. Then center end cap on box and center filler on cap. With pieces centered, at each end of cap drill a 5/16 hole top down next to wind deflector of cap and into box rail as shown. Turn a 3/8 self threading screw tight. Use Owner's Manual to finish mounting cap to box.



4 Attach tarp straps (not included with kit) to D-Rings on fabric filler and pull snug tight and attach to suitable locations on box.