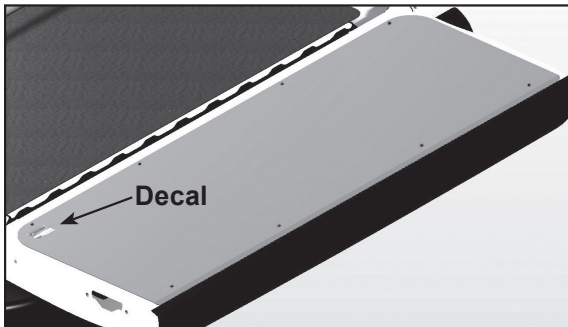




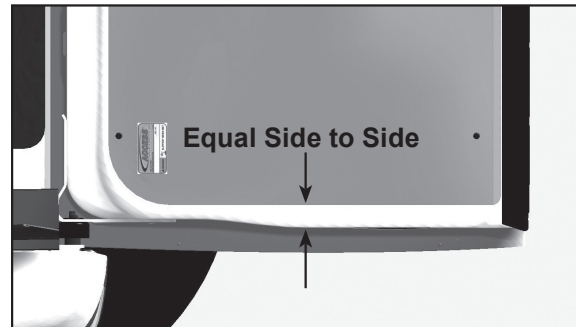
INSTALLATION INSTRUCTIONS FOR TAILGATE PROTECTOR

Tools Needed: Protective Eyewear and Drill with #2 Phillips Drive Bit

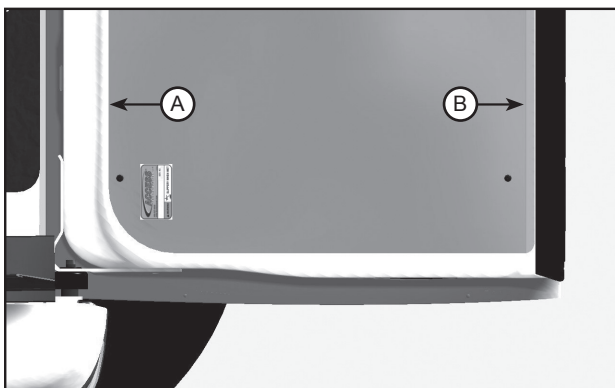
NOTE: Prior to installation peel off protective liner.



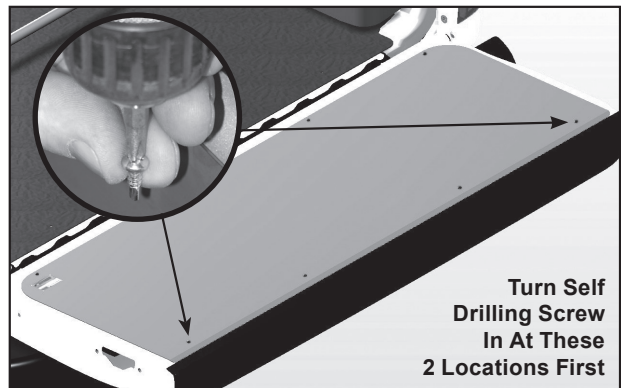
- 1** Lay the protector plate on the tailgate with the decal on the driver side as shown.



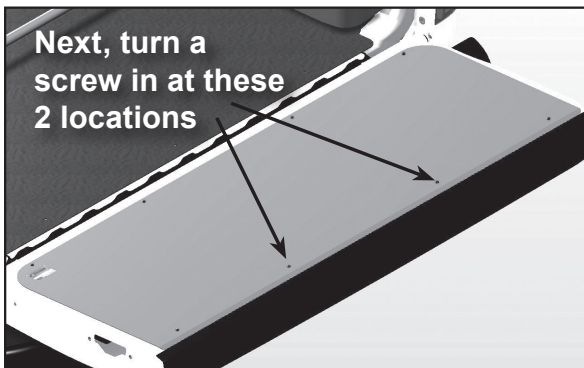
- 2** Adjust the distance equally from side to side, next adjust the tailgate protector from front to back to ensure all screws will attach to a flat surface.



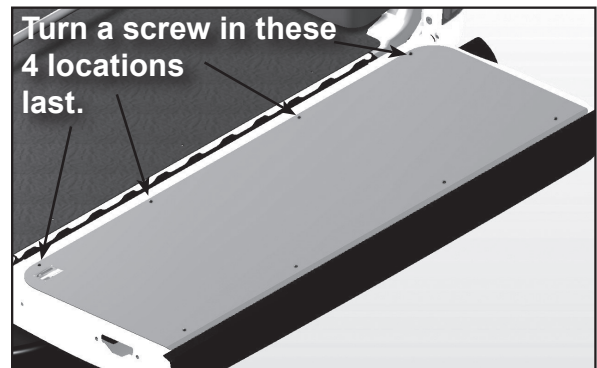
- 3** Edge "A" of Tailgate Protector should not hang over raised portion of tailgate. Edge "B" of Tailgate Protector does not necessarily need to rest against tailgate cap.



- 4** Start and turn a self drilling screw in at each of the two outside corner locations first. **Use care when turning the screws tight to avoid stripping the threads.**



- 5** Next, turn a self drilling screw into both interior locations.



- 6** Turn a self drilling screw in at four remaining locations.