

ROLL UP TRUCK BOX COVER SPECIAL BOLT ON SIDE RAIL INSTRUCTIONS



2009-ON DODGE RAM WITH RAMBOX CARGO MANAGEMENT SYSTEM

Read and follow these special instructions along with the standard instructions carefully before installing or using this cover.

NOTICE TO INSTALLER: Even if familiar with product, read special instructions prior to installation as improvements may be made without notice. Always handle components with care. When done, these special instructions must be given to the consumer.

NOTICE TO CONSUMER: Before using this product, read special instructions. Save these special instructions for future reference.

NOTICE TO INSTALLER/CONSUMER: These instructions supersede the side rail installation step found in the standard instructions. After side rails are installed, resume standard instructions.

PREPARATION

TOOLS NEEDED

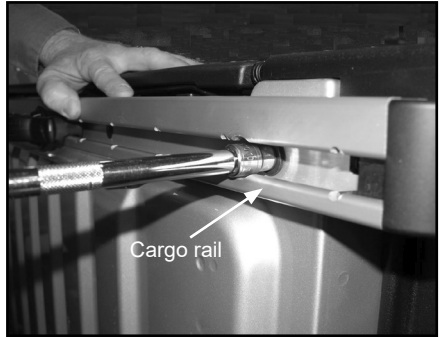
- Ratchet with short extension and 10 mm socket
- In-lbs Torque wrench
- Protective eyewear

⚠ CAUTION: Over torquing hardware may damage components. Do not use impact tools.

1: REMOVING CARGO RAIL

A. Remove 5 bolts (10 mm socket) that mount cargo rail to box.

NOTE: These bolts will be replaced with new hardware. Installers should return these bolts to the owner.



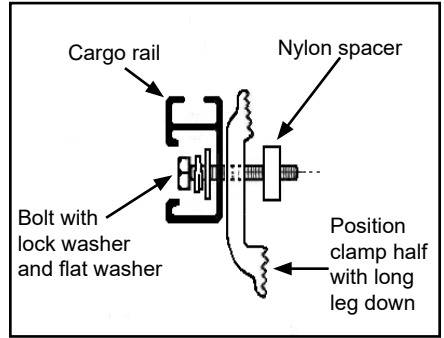
B. Cargo rail is still loosely attached to box with 2 nylon anchors. Starting at front, pull cargo rail until anchors disengage and cargo rail is free from box.



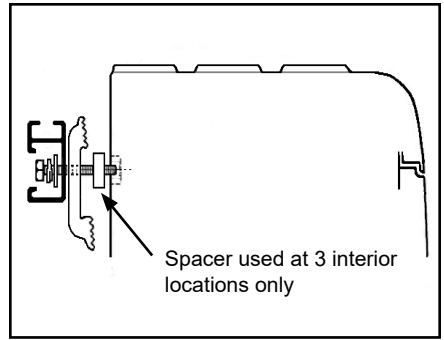
2: INSTALLING HARDWARE FOR CARGO RAIL

A. At 3 middle bolt hole locations in cargo rail, insert a bolt with lock washer and flat washer through hole in cargo rail. On opposite side, slide a clamp half and spacer over end of each bolt as shown.

IMPORTANT: Ensure clamp teeth face away from cargo rail.



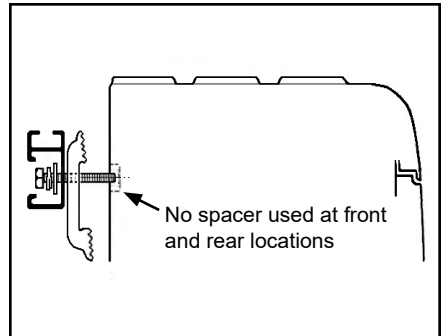
B. Align cargo rail with bolt holes on box wall. Turn the 3 bolts to engage several threads. Leave bolts loose for now.



C. At front, insert bolt, lock washer and flat washer through hole in cargo rail, then a clamp half (no spacer) on opposite side and start threads. Repeat at rear of cargo rail.

NOTE: Do not use spacer at front and rear of side rail. Leave bolts loose for now.

Continue to Step 3.



3: INSTALLING SIDE RAIL

A. Position cover side rail in between all 5 clamps and box wall. Use standard instructions for the correct height and position of side rail (see figure 3B).



B. At front of box, ensure teeth engage grooves on side rail and turn bolt finger tight.

C. At rear of box, set side rail in line with box rail grooves and place clamp to ensure side rail is level, turn bolt finger tight.

D. Turn 3 middle bolts finger tight.

E. Repeat Steps 1-3 to install side rail on opposite side.

F. Torque all bolts to 70 in-lbs.

G. Ensure RamBox lid opens and closes without interference from side rail.

NOTE: If RamBox lid rotates too tight against seal when opening, try lowering the side rail slightly.

H. For remaining cover installation, refer to standard instructions.

