



INSTALLATION INSTRUCTIONS

Thank you for purchasing TONNOSPORT® Roll-Up Cover. Agri-Cover, Inc. proudly manufactured this cover using superior quality materials and workmanship. With proper care, your cover will provide years of service and enjoyment.

NOTICE TO INSTALLER: Even if familiar with product, read instructions prior to installation as improvements may be made without notice. Always handle cover and components with care. If you have questions or problems, have serial number ready and call customer service. When done, these instructions must be given to the consumer.

NOTICE TO CONSUMER: Before using this product, read operating, maintenance and safety sections. Save these instructions for future reference.

FOR YOUR RECORDS

DATE PURCHASED: _____

WHERE PURCHASED: _____

SERIAL NUMBER: _____

(Located on decal under rear bar by tailgate)



Questions? 866-630-8726
agricover.com

PREPARATION

Unpack cover components and clean truck box.

COMPONENTS

- (6) Clamps
- Driver side rail
- Passenger side rail
- Left and right tension adjuster with nuts and bolts
- Pre-rolled cover assembly

TOOLS NEEDED

- (2) 1/2" Wrenches
- Protective eyewear
- Tape measure or ruler
- Ft-lb Torque wrench with 1/2" socket
- Spring clamp - optional

NOTE: Side rails and bows are silver finish.

NOTE: Under the rail drop-in bed liner requires minimal modification at front corner of box and back by tailgate. Over the rail drop-in bed liner requires considerable modification.

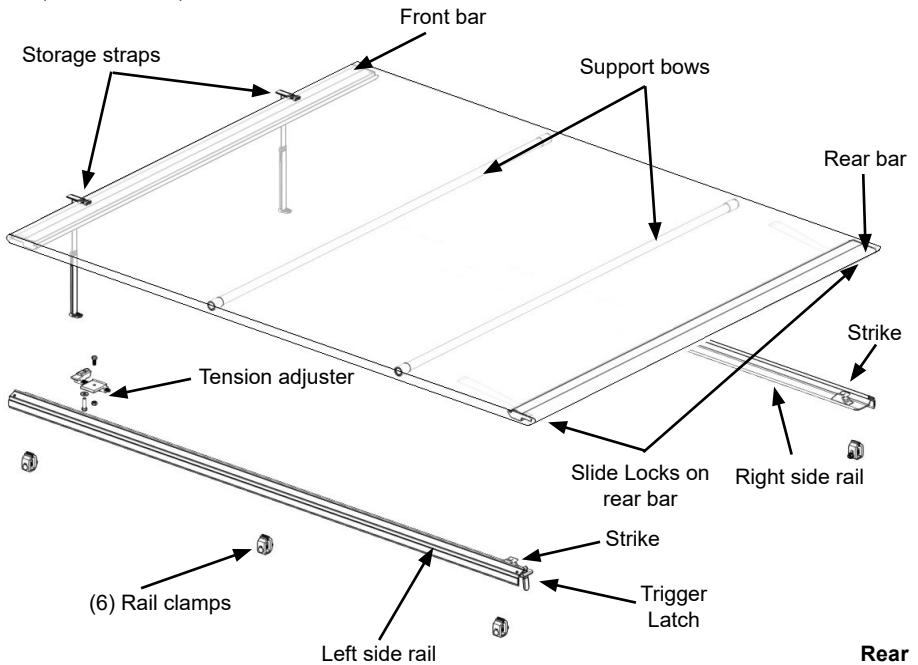
NOTE: For additional protection against the elements, locate and seal miscellaneous factory holes, crevices, stake pockets, etc. that may be in box (sealant not included).

NOTE: Hardware appearance and components may vary.

⚠ CAUTION: Over torquing hardware may damage components.

PARTS DIAGRAM

Front (closest to cab)



1: INSTALLING SIDE RAILS

NOTE: Some installs require special instructions. If required, follow special instructions for side rail attachment along with these standard instructions.

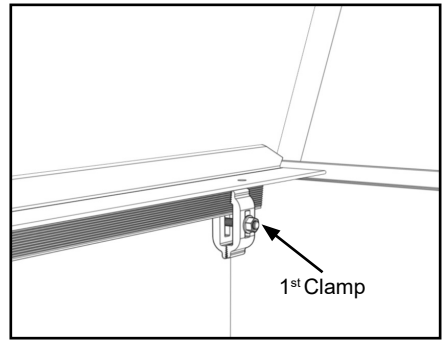
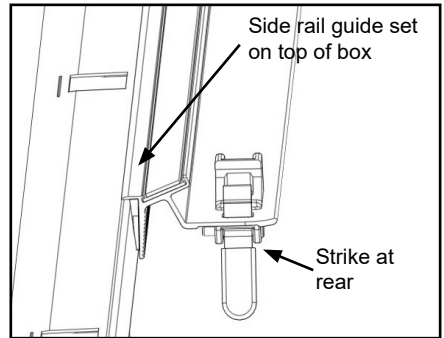
A. Position side rail with weather strip against inside lip of box and side rail guide set on top of box. Push side rail forward until it touches front of box.

IMPORTANT: Ensure strike is positioned at rear of box.

B. At front, hold side rail with assistance of another person or a spring clamp.

C. Install first clamp as close to front of box as possible with clamp orientation that provides best grip, turn nut finger tight, then use 1/2" wrench to tighten.

IMPORTANT: To keep side rail secured on truck, ensure clamp teeth engage grooves on side rail.

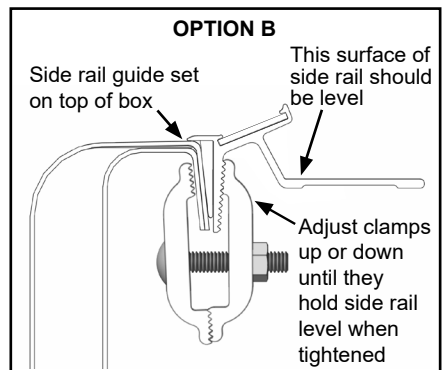
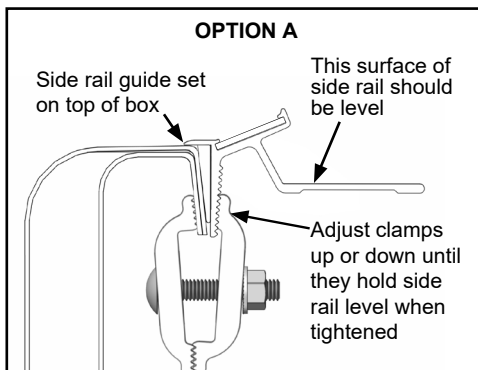


NOTE: Images below illustrate clamping options. **Option A** depicts standard clamping orientation lower on the rail. **Option B** depicts alternate clamping orientation with half of clamp assembly rotated 180° to provide better grip at top of rail.

D. Verify side rail is level. If side rail is not level, perform one of the following:

If side rail tilts up: loosen and lower clamp, engage teeth and then retighten clamp.

If side rail tilts down: loosen and raise clamp, engage teeth and then retighten clamp.

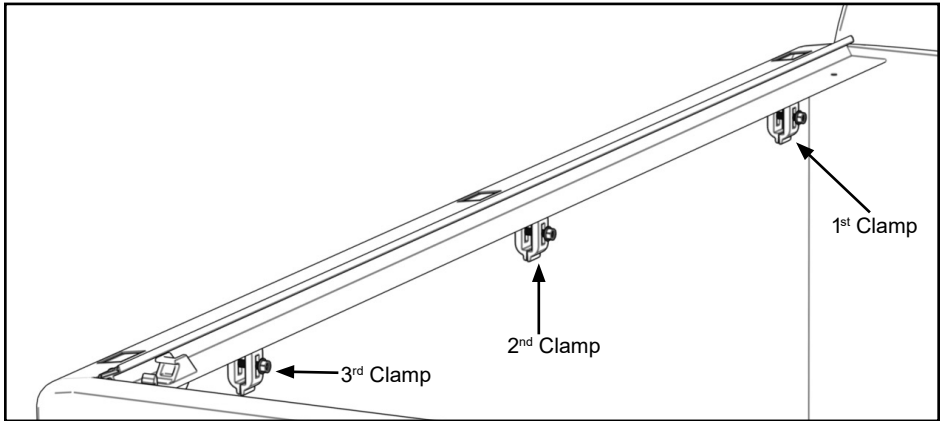


1: INSTALLING SIDE RAILS (Continued)

E. Install second clamp on side rail at midway point. Adjust side rail until flush at top and then repeat clamping procedure.

F. Install third clamp as close to tailgate as possible. Adjust side rail height until flush with top of tailgate and then repeat clamping procedure.

IMPORTANT: Ensure all clamp teeth engage side rail grooves.



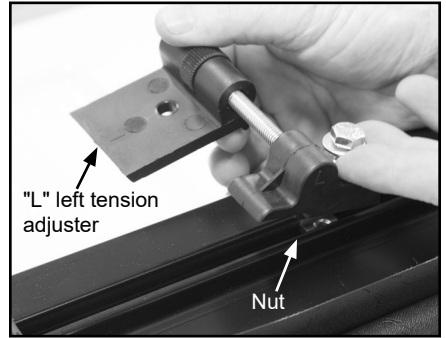
NOTE: For trucks with electric tailgates, cover and tailgate should remain closed after installation for at least 24 hours. During this time period vinyl flap typically conforms to tailgate allowing electric tailgate to function properly. If interference occurs after this time period, raise side rail at rear slightly above tailgate.

G. Repeat Steps 1A-F to install side rail on opposite side.

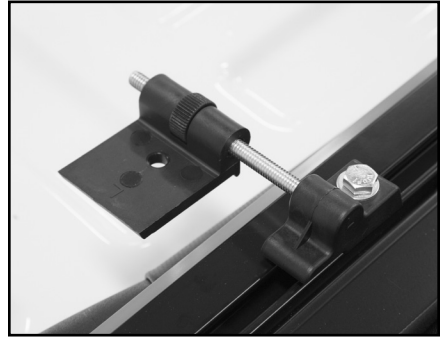
H. Torque all clamps to 20 ft-lbs or value specified in special instructions (if supplied).

2: INSTALLING TENSION ADJUSTERS

A. The cover comes pre-rolled in open position for ease of installation. Set pre-rolled cover on tailgate with front bar facing up. Align tension adjuster (marked "L") on driver side of cover as shown.



B. Turn 1-1/4" bolt with flat washer onto nut in front bar. Leave loose for now. Repeat for tension adjuster (marked "R") on passenger side of cover and leave bolt loose.



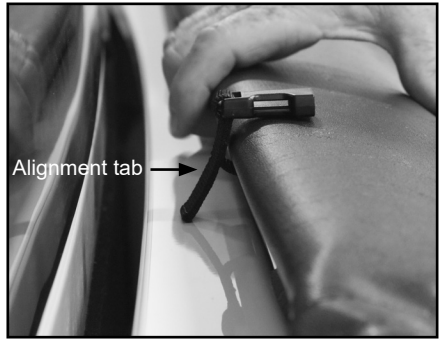
3: MOUNTING COVER TO SIDE RAILS

A. Set cover at front of box on side rails (behind cab) with front bar facing up.

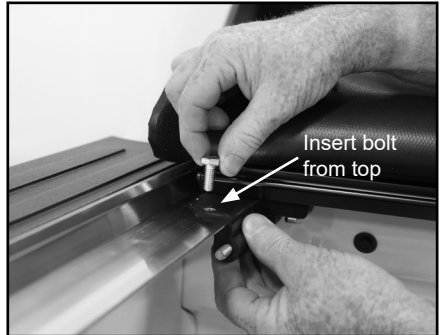
B. Roll front bar onto side rails and fold/tuck vinyl flap under front bar. Front bar will face down. Let straps hang inside of box. Push front bar forward until it sits flat on front of side rails and extends past them.



NOTE: Ensure alignment tabs are positioned perpendicular to cover and press against bulkhead.

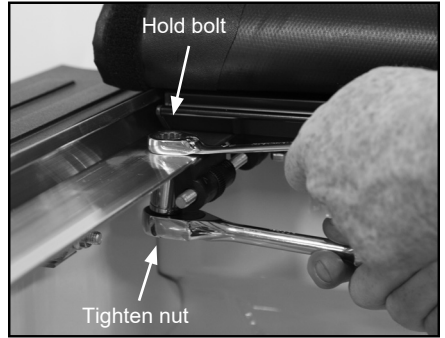


C. Slide left tension adjuster until it engages under side rail (see Step 3F). Push bar back and forth to line up holes. Do not turn adjustment wheel. Insert bolt from top then secure with nut from bottom.

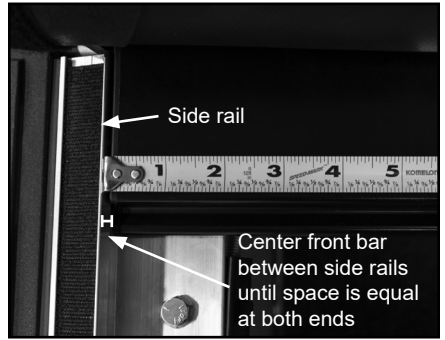


3: MOUNTING COVER TO SIDE RAILS (Continued)

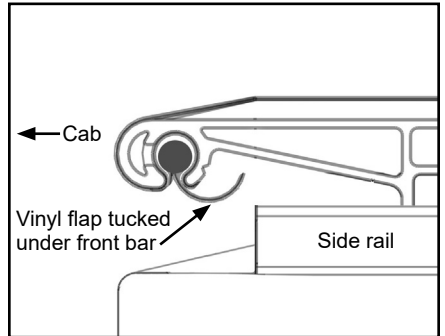
D. Hold bolt at top and tighten nut under side rail. Repeat Steps 3C-D for right tension adjuster.



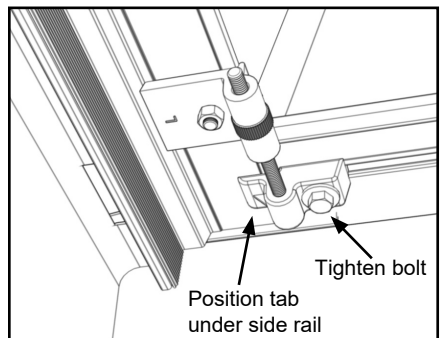
E. Center front bar between the two side rails.



NOTE: Before tightening, ensure vinyl flap is tucked under front bar.



F. With the tension adjuster's support tab under the side rail, tighten bolt (left loose earlier) under front bar on each tension adjuster.



4: INITIAL OPERATION AND ADJUSTMENTS

A. Unroll cover and place rear bar into strikes on side rails. Press down on rear bar to close (20-30 lbs pressure). The cover fabric may be tight. Over time, under tension, it will conform to its hardware and loosen slightly. If rear bar is too hard to push down, adjust tensioners equally as needed to close.

NOTE: If cover is too tight, it may impact latching mechanism.



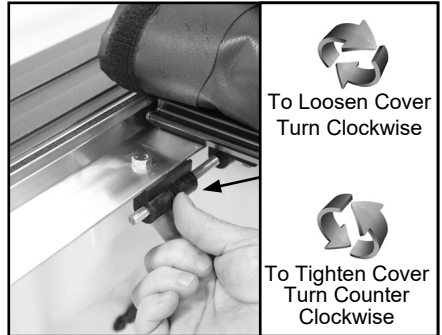
B. Close tailgate slowly, top of tailgate should fit snug under rear bar. If cover impedes normal tailgate operation, raise side rails by: loosening rear clamps, adjusting side rail up and then tightening clamps. If there is a gap between tailgate and cover, adjust side rails lower.

IMPORTANT: Verify each clamp is torqued to 20 ft-lbs or value specified in special instructions (if supplied). Start behind cab and work toward tailgate.



C. Check cover tension by releasing latch and then opening and closing rear bar several times. It should snap when closing. Cover fabric should be tight without sagging between the bows.

D. If adjustment is needed, roll cover open then either: turn tension adjuster clockwise to loosen or turn tension adjuster counter clockwise to tighten. Ensure to adjust tensioners equally.



E. Always seal both sides of cover with hook and loop system. For detailed operating instructions see pages 10 and 11.

Tip: Reasons to keep cover tight:

1. Increases longevity
2. Decreases noise
3. Enhances appearance



TROUBLESHOOTING

PROBLEM

Cover too loose.

Cover too tight.

Gap between rear bar and tailgate.

Top of tailgate hits rear bar when attempting to close.

Cover too narrow.

Cover too wide.

Lopsided cover (too much on one side).

Manual Slide Locks too loose or too tight.

SOLUTION

Turn both tension adjusters counter clockwise to move front bar forward (see Step 4D).

Turn both tension adjusters clockwise to move front bar back (see Step 4D).

Verify top of side rail guide is set on top of box. Side rails set too high (see Step 4B).

Verify top of side rail guide is set on top of box. Side rails are set too low at rear of cover, raise side rails at rear of box until rear bar no longer interferes with tailgate operation (see Step 4B).

Check if side rail is level. If side rail tilts up: loosen and lower clamp, engage teeth and then retighten clamp (see Step 1D).

Check if side rail is level. If side rail tilts down: loosen and raise clamp, engage teeth and then retighten clamp (see Step 1D).

Check if front bar is centered between side rails (see Step 3E).

Use 1/8" Allen wrench to tighten or loosen set screw as desired. Slide Lock performs best with some friction.

CLOSING ROLL UP COVER

A. Release storage straps at front.



B. Using both hands, unroll cover toward the tailgate.

C. With tailgate down, position rear bar against strikes. Push down on rear bar until trigger latch secures rear bar.



D. On both sides, seal cover edges with hook and loop system the full length of cover.

Tip: Pull with one hand and seal with other hand.



E. For additional protection, manual Slide Locks are located under rear bar on passenger and driver side. Push Slide Locks to engage; pull to disengage.



OPENING ROLL UP COVER

NOTE: Ensure Slide Locks are disengaged before opening cover.

A. On driver side, release trigger latch and rotate rear bar toward cab.



B. Using both hands, roll cover toward cab.



C. Secure cover with storage straps.



SAFETY INFORMATION

- Do not cover cargo higher than the cover.
- Do not place object(s) on or against the cover or its framework at any time.
- Always secure cargo to avoid shifting and damaging the cover or its parts.
- Remove snow or debris from top of cover before rolling.
- Do not use the cover's framework to tie down cargo.
- Never stand, sit or ride on the cover or allow others to do so.
- Do not leave valuables in an unattended vehicle as cover does not prevent theft of cargo in truck box.
- The cover does not eliminate moisture and dust from entering the truck box. Special wrappings or packaging of the cargo may be necessary.
- Due to poor ventilation, if you allow a pet/animal in the box, leave cover open. Do not allow people or animals to occupy box with the cover closed.
- When towing vehicle backward, cover must be rolled fully open and secured with storage straps.
- Always finish securing the cover by sealing sides.
- Use caution when operating cover in windy conditions.
- Periodically check/retighten clamps and front bar tensioning bolts as needed.
- Periodically check trigger latch to ensure it fully secures rear bar.

TIPS FOR A LONGER LASTING COVER

- Keep cover closed when not in use.
- Always seal cover edges the full length of box on both sides with hook and loop sealing system.
- Keep the cover tight; cover should sound drum-like when tapped on.
- Ensure cover is properly latched and sealed.
- Close cover while traveling and before entering automatic drive-through car washes.
- Avoid storing cover in its open position for long periods of time.
- When cleaning, use mild liquid soap and water. Never clean with petroleum or citrus based products. Petroleum based products may dry out and damage cover vinyl.
- Periodically treat cover with COVER CARE® Cleaners and UV protectant.
- Whether in open or closed position, ensure cargo does not rub against cover.

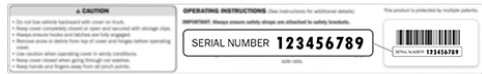
INSPECTION AND MAINTENANCE

The operator can perform most of inspection and maintenance. It may be necessary to review the installation and operating instructions.

- Periodically check and/or retighten clamps as needed.
- Periodically check trigger latch to ensure it fully secures rear bar.
- Periodically inspect the condition of cover assembly and all parts. Check for loose bolts and parts, tighten if needed. Test the operation to ensure parts are functioning properly and cover is in top operational condition.
- If latch has been damaged, replace with new one.

NOTE: Inspection and/or maintenance should also be performed anytime a malfunction is observed or suspected. If you need assistance inspecting and/or servicing your cover call Customer Service at 866-630-8726. Always use original equipment replacement parts for your cover.

Serial Number can be located under rear bar by tailgate.



MANUFACTURER'S LIMITED WARRANTY

Agri-Cover, Inc. extends the following two (2) year Limited Warranty for the TONNOSPORT® Roll-Up Cover:

Agri-Cover, Inc. warrants a period of two (2) years from the date of receipt or date of manufacture that its TONNOSPORT® Roll-Up Cover is free from defects in material and workmanship, under normal use for the truck model it was intended for. This Limited Warranty does not cover any damage due to accident, abuse, misuse, alteration, neglect, improper installation, or ordinary wear and tear.

Agri-Cover, Inc.'s sole obligation under this Limited Warranty is limited to the repair or replacement, at its option, of defective parts only. No labor or service allowance is given or implied. IN NO EVENT SHALL AGRI-COVER, INC. BE LIABLE FOR INCIDENTAL, CONSEQUENTIAL, OR SPECIAL DAMAGES. AGRI-COVER, INC. EXPRESSLY DISCLAIMS ANY AND ALL IMPLIED WARRANTIES OF MERCHANTABILITY, AND THERE ARE NO WARRANTIES WHICH EXTEND BEYOND THE LIMITED WARRANTY DESCRIPTION CONTAINED HEREIN.

For warranty, fill out the warranty claim form at agricover.com/warrantyclaim or call Customer Service Department at 866-630-8726 to determine if only a replacement part is needed or if the cover needs to be returned for inspection and repair. Goods to be returned must have a pre-authorized RA # (Return Authorization Number) - obtained by calling the number above. Mark the number on the package and ship it freight prepaid to address below. Agri-Cover, Inc. will pay freight to return goods to sender.

This Limited Warranty gives you specific legal rights and you may have other rights, which vary, from state to state.

For replacement parts shop at accesscoverparts.com or call Customer Service at 866-630-8726.



Agri-Cover, Inc.
Customer Service Dept
3000 Hwy 281 SE
Jamestown, ND 58401
Phone: 866-630-8726

Hours: 8:00 am - 5:00 pm CST Monday through Friday, except Holidays