

ROLL UP TRUCK BOX COVER SPECIAL SIDE RAIL CLAMPING INSTRUCTIONS



2000-06 TOYOTA TUNDRA

Read and follow these special instructions along with the standard instructions carefully before installing or using this cover.

NOTICE TO INSTALLER: Even if familiar with product, read special instructions prior to installation as improvements may be made without notice. Always handle components with care. When done, these special instructions must be given to the consumer.

NOTICE TO CONSUMER: Before using this product, read special instructions. Save these special instructions for future reference.

PREPARATION

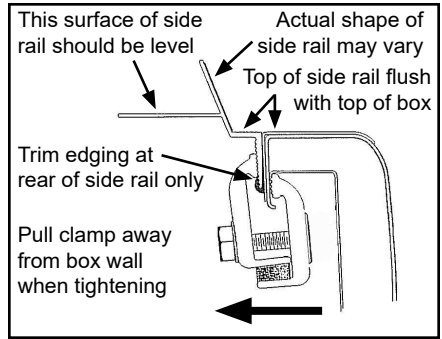
TOOLS NEEDED

- (2) 1/2" Wrenches
- (1) Protective eyewear
- (1) Scissors
- (1) Spring clamp - optional
- (1) Tape measure or ruler

▲ CAUTION: Over torquing hardware may damage components. Do not use impact tools.

1. INSTALLING SIDE RAIL

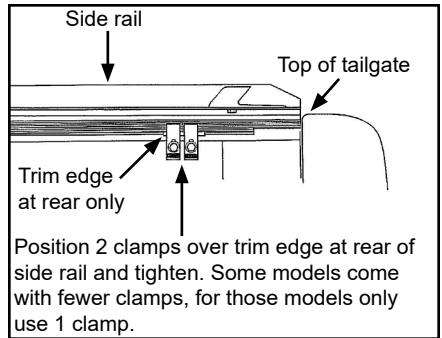
A. Use standard instructions for the correct height and position of side rail. Position clamp as high as possible. For best results, pull clamp away from box wall as you tighten.



B. At rear of box, hold side rail flush with top of tailgate protector. Position clamp over trim edging and tighten. Repeat Step 1 to install side rail on opposite side.

NOTE: Trucks without box rail protectors may need to remove trim edging from side rail before installing rear clamp.

NOTE: Position 2 clamps over trim edge at rear of side rail and tighten. Some models come with fewer clamps, for those models only use 1 clamp.



C. For remaining cover installation, refer to standard instructions.

