

ROLL UP TRUCK BOX COVER SPECIAL BOLT ON SIDE RAIL INSTRUCTIONS



2007-21 TOYOTA TUNDRA WITH DECK RAIL

Read and follow these special instructions along with the standard instructions carefully before installing or using this cover.

NOTICE TO INSTALLER: Even if familiar with product, read special instructions prior to installation as improvements may be made without notice. Always handle components with care. When done, these special instructions must be given to the consumer.

NOTICE TO CONSUMER: Before using this product, read special instructions. Save these special instructions for future reference.

NOTICE TO CONSUMER AND INSTALLER: Side rails in this kit mount to the deck rail system with special bolt on brackets instead of standard clamps as shown in standard instructions. Cover may disable or limit use of some deck rail systems.

PREPARATION

TOOLS NEEDED

- 7/16" Wrench
- Ft-lbs Torque wrench with 7/16" socket
- Protective eyewear

⚠ CAUTION: Over torquing hardware may damage components.

NOTE: Hardware appearance and components may vary.

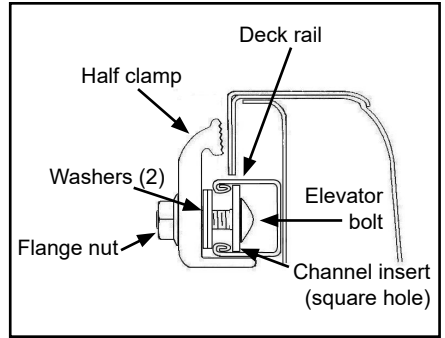
1: REMOVING EXISTING HARDWARE

A. Remove deck rail system plug at end of channel near tailgate. If tie downs are installed in deck rail, loosen and remove for now.



2: INSTALLING SIDE RAILS

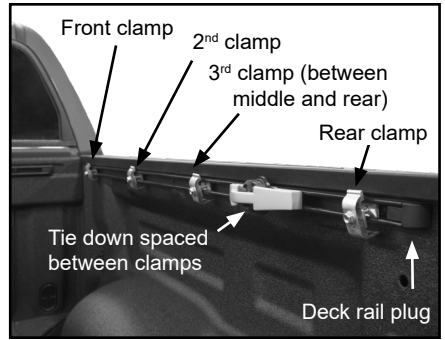
A. When inserted into deck rail, position pre-assembled clamps and hardware as shown.



B. Refer to standard instructions for clamp position and quantity.

NOTE: For trucks equipped with tie downs, locate them as desired between clamps.

C. Reinsert deck rail plug.



D. Place side rail between clamps and inside lip of box until it rests on deck rail. Use standard instructions for correct height and position of side rail.



E. Hold side rail level and clamp assembly as shown then tighten clamps. When tight, clamps should hold side rail level.

F. Repeat Steps 1-2 to install side rail on opposite side.

G. Torque all clamp bolts to 10 ft-lbs.

H. For remaining cover installation, refer to standard instructions

