

# ROLL UP TRUCK BOX COVER SPECIAL SIDE RAIL AND SEAL INSTRUCTIONS



## 2005-2021 NISSAN FRONTIER

Read and follow these special instructions along with the standard instructions carefully before installing or using this cover.

**NOTICE TO INSTALLER:** Even if familiar with product, read special instructions prior to installation as improvements may be made without notice. Always handle components with care. When done, these special instructions must be given to the consumer.

**NOTICE TO CONSUMER:** Before using this product, read special instructions. Save these special instructions for future reference.

# PREPARATION

## TOOLS NEEDED

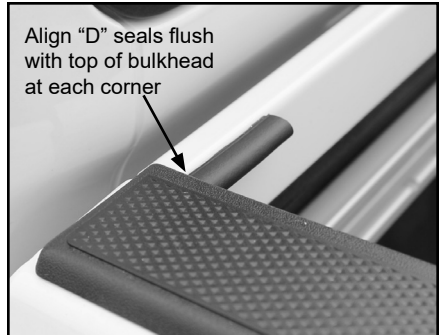
- (1) 1/2" Wrench
- (1) Ft-lbs torque wrench with 1/2" socket
- (1) Protective eyewear

**▲ CAUTION:** Over torquing hardware may damage components.

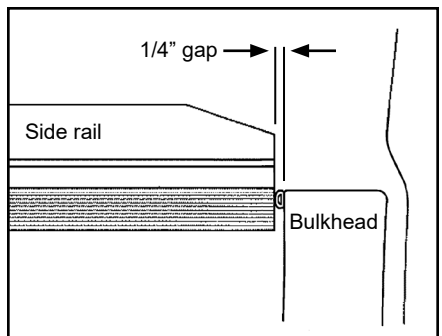
**NOTE:** For best adhesion, ensure air and surface temperatures are above 60° F.

## 1: SIDE RAIL INSTALLATION

A. Clean surfaces where seals adhere. Peel off paper backing. Adhere seals flush with top of bulkhead on inside of front corners as illustrated.



B. Position front of side rail 1/4" away from bulkhead and flush with top of box.



## 2: CLAMP INSTALLATION

A. Loosen clamps and slide into position along length of box.

**Note:** For trucks with Utili-Track System, install clamps above track.

B. Use standard instructions for clamp locations and position of side rail.

C. Torque all clamps to 20 ft-lbs.

D. Repeat Steps 1 and 2 to install side rail on opposite side.

E. **For remaining cover installation, refer to standard instructions.**

