

ROLL UP TRUCK BOX COVER SPECIAL ADAPTER KIT INSTRUCTIONS



NISSAN FRONTIER WITH SLIDING BED EXTENDER #40575

Read and follow these special instructions along with the standard instructions carefully before installing or using this cover.

NOTICE TO INSTALLER: Even if familiar with product, read special instructions prior to installation as improvements may be made without notice. Always handle components with care. When done, these special instructions must be given to the consumer.

NOTICE TO CONSUMER: Before using this product, read special instructions. Save these special instructions for future reference.

NOTICE TO INSTALLER/CONSUMER: Installing this kit resizes the adjustable bed extender to function with our roll up cover and is required if bed extender interferes with side rails.

PREPARATION

TOOLS NEEDED

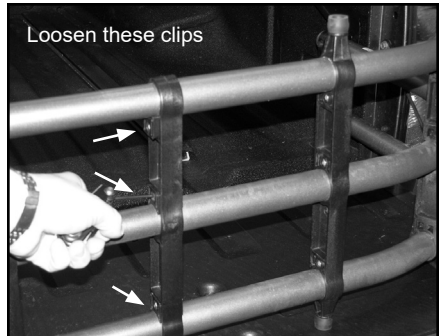
- (1) 5 mm Allen wrench
- (1) 13 mm Socket wrench
- (1) Marking pen
- (1) Protective eyewear
- (1) T-20 Torx wrench
- (1) Tape measure or ruler

▲ CAUTION: Over torquing hardware may damage components. Do not use impact tools.

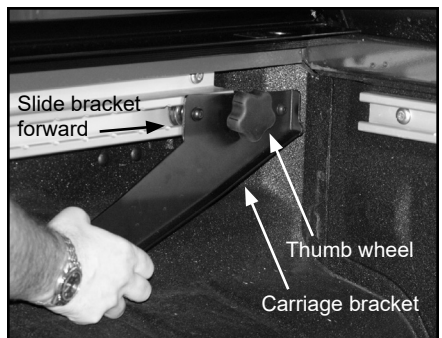
NOTE: Installing this kit allows the bed extender to function with our roll up covers.

1. REMOVING CARRIAGE BRACKET

A. Remove bed extender cage from carriage brackets. Measure and record width of cage. Use T-20 Torx wrench to loosen retainer clips on tubes and pry loose. Then slide telescopic tubes together to narrow extender by 4" from original width. Retighten Torx bolts and set unit off to side.



B. Remove carriage bracket by loosening thumb wheel and sliding bracket toward front of box until assembly comes out of track system.

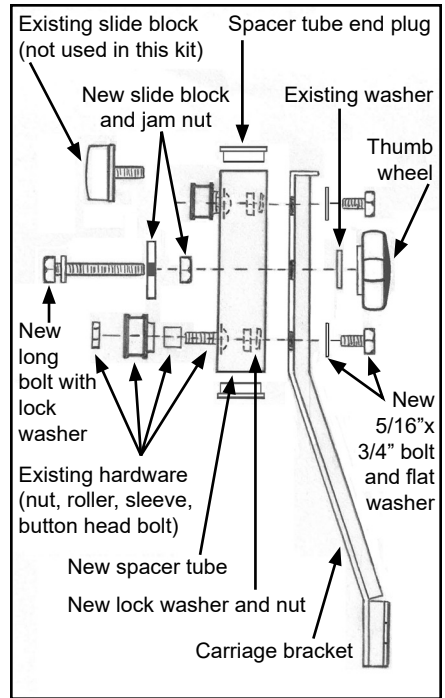


2. REPLACING SLIDING BED EXTENDER

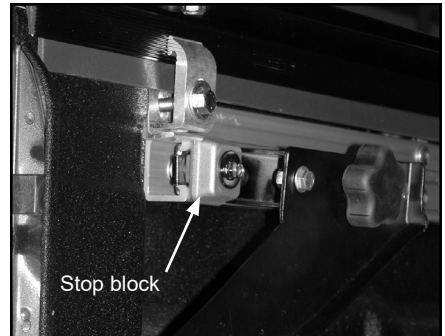
A. Disassemble carriage bracket hardware and save existing pieces (except carriage slide block with short bolt) for reassembly as per diagram.

NOTE: Top view of carriage bracket shown (driver side).

B. Insert new long bolt (8 mm x 85 mm) with lock washer into new metal slide block and tighten with jam nut. Then use new pieces with existing pieces and reassemble with 2" spacer tube as shown. Tape spacer tube end plugs in place.



C. Replace both carriage brackets at front of box and slide to rear. Mount bed extender to brackets. Ensure stop block at rear of track is tight to prevent bed extender from sliding too far back. Repeat Steps 2A, 2B and 2C to install side rail on opposite side.



D. Rotate bed extender to position on tailgate and adjust length of safety straps to fit tailgate latch. Check bed extender for proper operation. Tighten all bolts until they are fully compressed.

E. For remaining cover installation, refer to standard instructions

