

# QUICK HITCH MUD FLAPS INSTALLATION INSTRUCTIONS



Thank you for purchasing Quick Hitch Mud Flaps. We proudly manufactured this mud flap using superior quality materials and workmanship. With proper care, your Quick Hitch Mud Flaps will provide years of service and enjoyment.

**NOTICE TO INSTALLER:** Even if familiar with product, read instructions prior to installation as improvements may be made without notice. Always handle components with care. If you have questions or problems, call customer service. When done, these instructions must be given to the consumer.

**NOTICE TO CONSUMER:** Before using this product, read safety and maintenance section of these instructions. Save these instructions for future reference.

## FOR YOUR RECORDS

DATE PURCHASED: \_\_\_\_\_

WHERE PURCHASED: \_\_\_\_\_

Questions? 888-568-3709

# PREPARATION

## TOOLS NEEDED

- Ft-lb Torque wrench
- Ratchet with 9/16" socket
- Protective eyewear

**IMPORTANT:** Quick Hitch Mud Flaps may interfere with rear sensors on vehicle.

**IMPORTANT:** Always remove Quick Hitch Mud Flaps when driving off-road. Contact with obstacles may cause damage.

**NOTE:** Hardware appearance and components may vary.

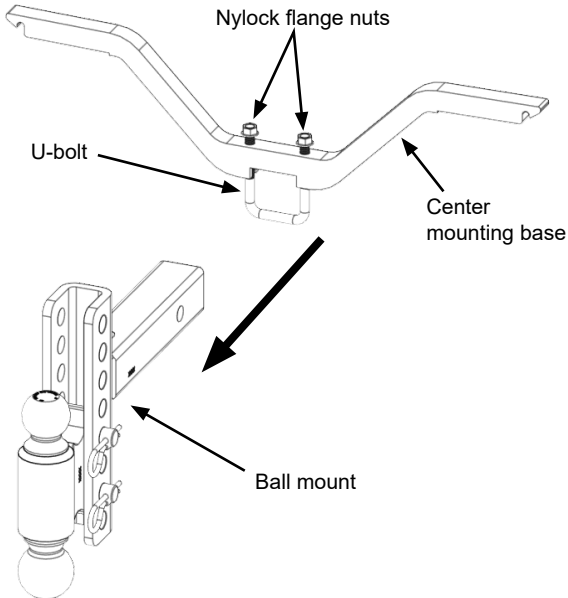
**⚠ CAUTION:** Over torquing hardware may damage components.

**⚠ WARNING:** Ensure exhaust fumes are **NOT** directed or redirected toward vehicle or flaps otherwise damage may occur. Optional heat shield available to protect flap from hot exhaust (PN 4006295).

## 1: ASSEMBLING MUD FLAPS

A. Slide center mounting base onto ball mount, then insert ball mount into receiver. Secure with pin and clip.

B. Ensuring not to contact vehicle, adjust center mounting base to desired location. Torque nylock flange nuts to 20 ft-lbs to secure.



# 1: ASSEMBLING MUD FLAPS (Continued)

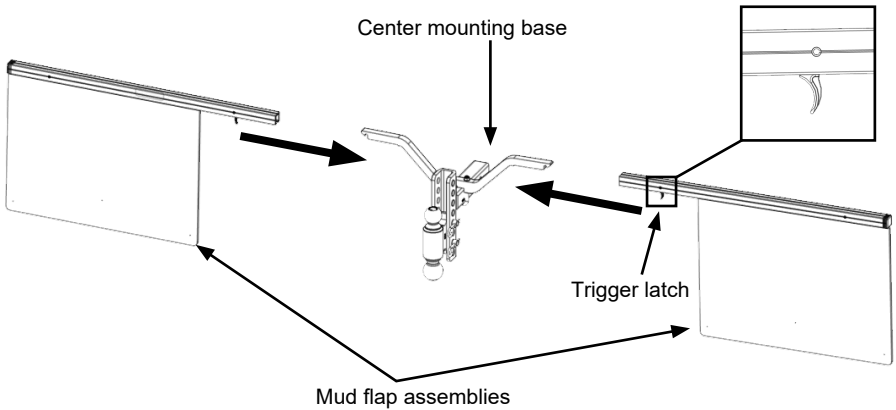
**NOTE:** Ensure decal is on driver side.

**NOTE:** Always check ground clearance of flaps. Suggested clearance with a load is 3" minimum to prevent dragging. Install on vehicles with suspension modifications or oversized tires may exceed suggested clearance. Mud flaps still function, though performance may be affected.

C. Slide Quick Hitch Flaps onto center mounting base.

**IMPORTANT:** Ensure mud flap assemblies are fully engaged by gently pulling outward.

D. To remove mud flap assemblies, squeeze trigger latch and slide off center mounting base.



## SAFETY AND MAINTENANCE

The operator can perform most of inspection and maintenance. It may be necessary to review the installation instructions.

- Periodically check all bolts and nuts, retighten if needed.
- Always remove mud flaps before entering automatic car wash systems.
- Always remove mud flaps when driving off road. Contact with obstacles may cause damage.
- Remove mud flap when not towing to improve fuel efficiency.
- DO NOT use mud flap frame as a step.
- DO NOT hook up anything to mud flap frame.
- If mud flap has been damaged, replace with new one.

**NOTE:** Inspection and/or maintenance should be performed anytime a malfunction is observed or suspected. If you need assistance inspecting and/or servicing your mud flaps, call customer service at 888-568-3709. Always use original equipment replacement parts for your mud flaps.

# MANUFACTURER'S LIMITED WARRANTY

Agri-Cover, Inc. extends the following (1) year Limited Warranty for the Quick Hitch Mud Flaps:

Agri-Cover, Inc. warrants a period of one (1) year from the date of receipt or date of manufacture that its Quick Hitch Mud Flaps is free from defects in workmanship, under normal use for the truck model it was intended for. This Limited Warranty does not cover any damage due to accident, abuse, misuse, alteration, neglect, improper installation, or ordinary wear and tear.

Agri-Cover, Inc.'s sole obligation under this Limited Warranty is limited to the repair or replacement at its option, of defective parts only. No labor or service allowance is given or implied. IN NO EVENT SHALL AGRI-COVER, INC. BE LIABLE FOR INCIDENTAL, CONSEQUENTIAL, OR SPECIAL DAMAGES. AGRI-COVER, INC. EXPRESSLY DISCLAIMS ANY AND ALL IMPLIED WARRANTIES OF MERCHANTABILITY, AND THERE ARE NO WARRANTIES WHICH EXTEND BEYOND THE LIMITED WARRANTY DESCRIPTION CONTAINED HEREIN.

For warranty, fill out the warranty claim form at [agricover.com/warrantyclaim](http://agricover.com/warrantyclaim) or call Customer Service Department at 888-568-3709 to determine if only a replacement part is needed or if the mud flaps needs to be returned for inspection and repair. Goods to be returned must have a pre-authorized RA # (Return Authorization Number) - obtained by calling the number above. Mark the number on the package and ship it freight prepaid to address below. Agri-Cover, Inc. will pay freight to return goods to sender.

This Limited Warranty gives you specific legal rights and you may have other rights, which vary, from state to state.

For replacement parts shop at [mudflapparts.com](http://mudflapparts.com) or call Customer Service at 888-568-3709.

Agri-Cover, Inc.  
Customer Service Dept  
3000 Hwy 281 SE  
Jamestown, ND 58401  
Phone: 888-568-3709

**Hours: 8:00 am - 5:00 pm CST Monday through Friday, except Holidays**