



INSTALLATION INSTRUCTIONS

Thank you for purchasing SNOWSPORT® Pro Utility Blade. Agri-Cover, Inc. proudly manufactured this snowplow using superior quality materials and workmanship. With proper care, your snowplow will provide years of service and enjoyment.

NOTICE TO INSTALLER: Even if familiar with product, read instructions prior to installation as improvements may be made without notice. Always handle components with care. If you have questions or problems, have serial number ready and call customer service. When done, these instructions must be given to the consumer.

NOTICE TO CONSUMER: Before using this product, read safety and operation sections. Save these instructions for future reference.

FOR YOUR RECORDS

DATE PURCHASED: _____

WHERE PURCHASED: _____

SERIAL NUMBER: _____

(Located on back of snowplow blade)



Questions? 800-689-6612
agricover.com

PREPARATION

Unpack snowplow components. For additional installation assistance, go to mysnowsport.com for install and operation videos.

▲ CAUTION: SNOWSPORT® Pro Utility Blade for use on compact tractors or skid steers with quick attach mounting system only!

COMPONENTS

- (2) Box ends
- (2) Quick attach plates with hardware
- (2) Blade markers with hardware
- (2) Lift handles
- Upper aluminum blade
- Lower aluminum blade
- (2) Rubber cutting edges

TOOLS NEEDED

- (2) Wood blocks
- Drill with 21/64" bit
- 9/16" socket with ratchet or impact driver/wrench
- Ft-lb Torque wrench with extension socket
- Locking pliers
- Rubber mallet - optional
- Protective eyewear

▲ WARNING: AVOID INJURY OR DEATH. Keep 10 feet (3m) away from loader and attachment when in use. Avoid pinch points.

NOTE: Hardware appearance and components may vary.

▲ CAUTION: Over torquing hardware may damage components.

IMPORTANT: If SNOWSPORT® Pro Utility Blade will be installed on more than one piece of equipment, measure universal quick attach mounting interface to verify that blade will properly attach, adjust quick attach plates if needed.

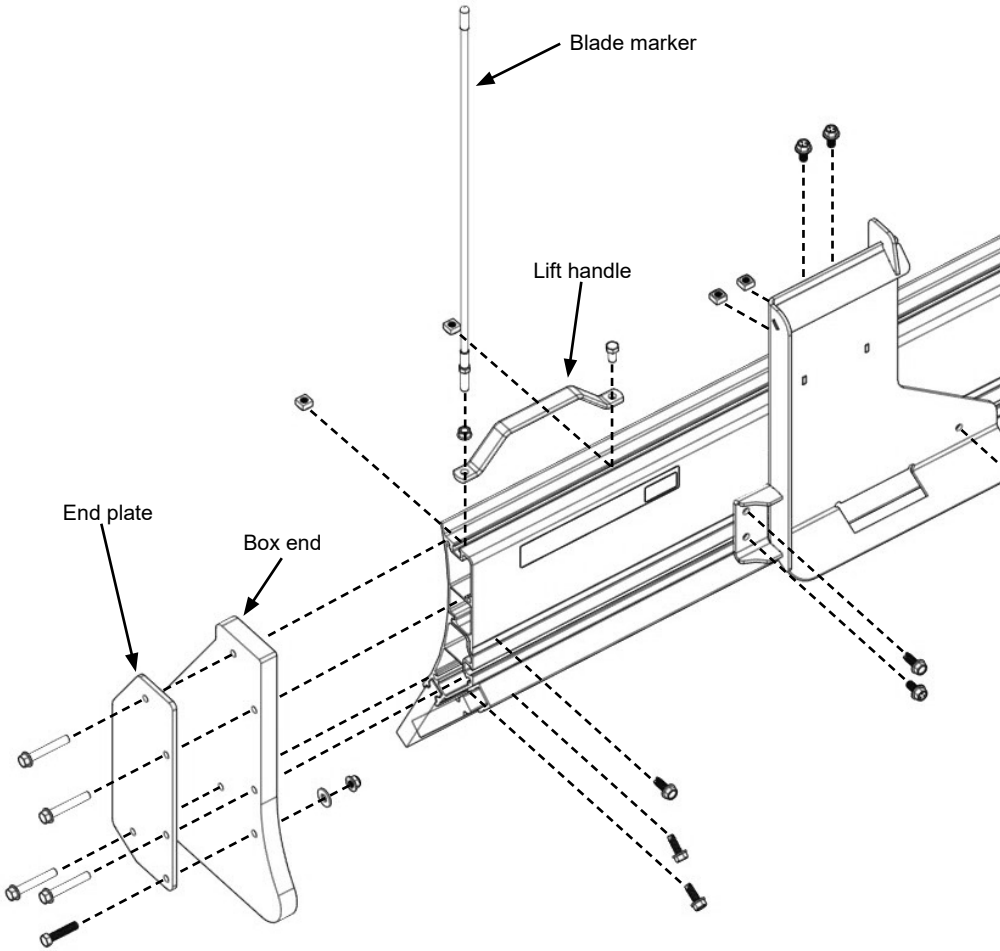
SAFETY INFORMATION

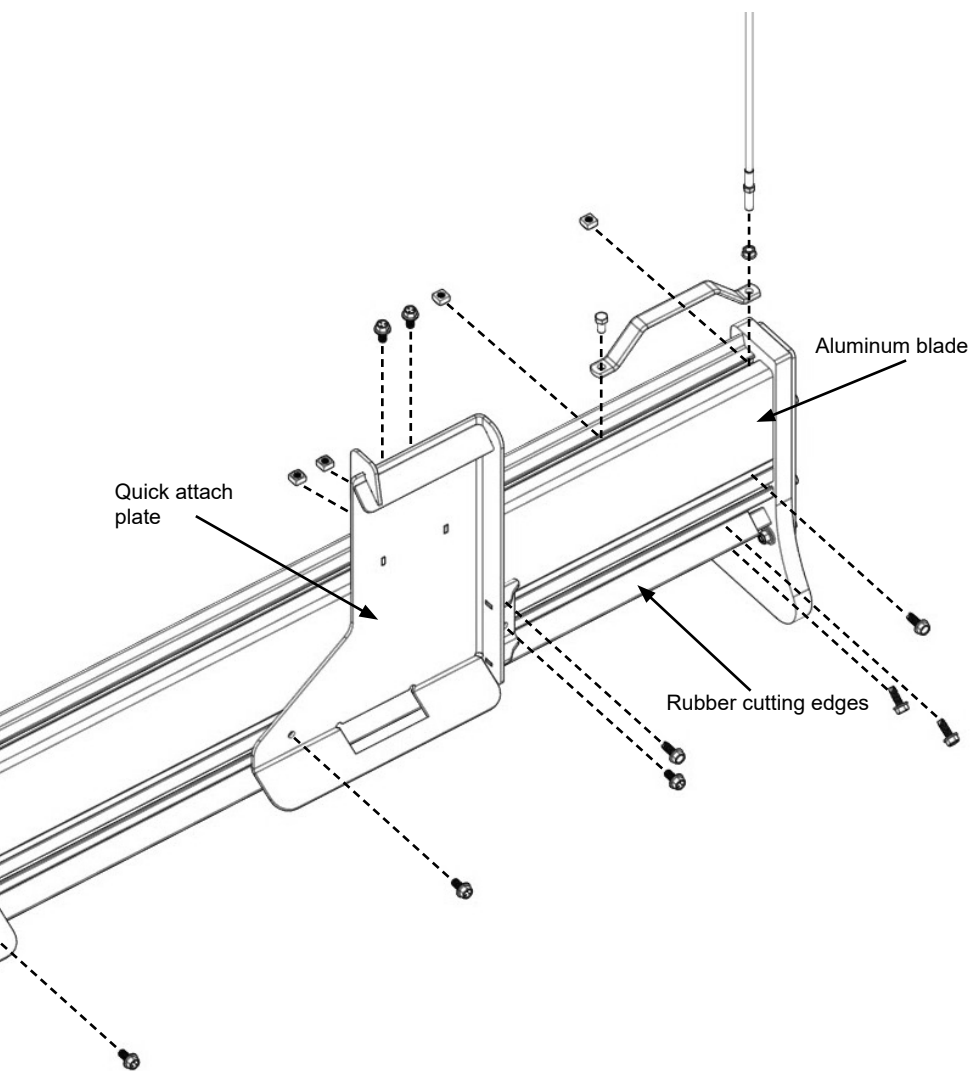
- Always follow equipment manufacturer recommendations for snowplowing.
- Always exercise safety, courtesy and common sense.
- Always know the terrain before plowing.
- Always wear your seat belt.
- Always look where you are going when backing up, don't rely on mirrors or back up cameras.
- Always plow snow during low-traffic hours.
- Always be cautious of pedestrians and vehicles.
- Always be aware of engine temperature, avoid overheating.
- Always ensure wedge pins are properly secured.
- Always use lowest transmission gear, on 4WD select low range if equipped.
- Never overload your plow or equipment, snow depth and water content determines amount of snow to be cleared per pass.
- Never plow snow with your head/body parts out of the window, an unexpected sudden stop could result in personal injury.
- Never pile snow where it obstructs visibility of traffic.
- Never pile snow near handicapped or parking areas.
- Never pile snow on someone else's property, streets, sidewalks, mail boxes, water drains, electrical boxes or by fire hydrants.
- Periodically inspect hardware and components, perform maintenance as required.
- Instruct everyone who will operate snowplow system on proper procedures.
- Never allow children to operate or play with snowplow system.

SNOWPLOWING TIPS

- Check local regulations before plowing snow.
- Mark or remove any potential hazards in plowing area as they can be easily covered by snow and forgotten.
- If blade is kept in warm storage, cooling outside prior to plowing prevents snow from freezing to blade.
- For gravel surfaces, we recommend packing the snow by making several passes with blade up to help prevent movement of loose rock when pushing snow.
- Start a pass by accelerating slowly to allow for tire traction and blade to accumulate snow.
- Amount of snow to be cleared efficiently per pass is determined by snow depth and water content, adjust the width of each pass and plow more often during continuous snowfalls.
- As you come to the end of a pass, reduce speed and apply brakes as needed.
- To stack snow on hardened piles, start a new pile then push onto existing snow bank.
- Ensure to push snow far enough for future snowfall.
- Wet snow can compact and freeze which requires chipping to break loose before attempting to move.

PARTS DIAGRAM





1: ASSEMBLING SNOWPLOW

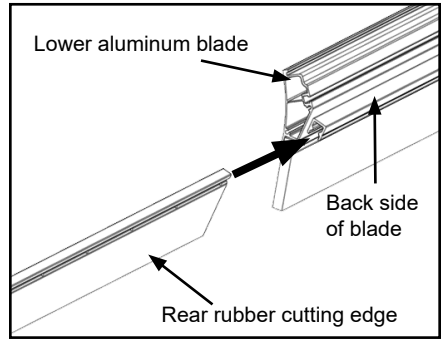
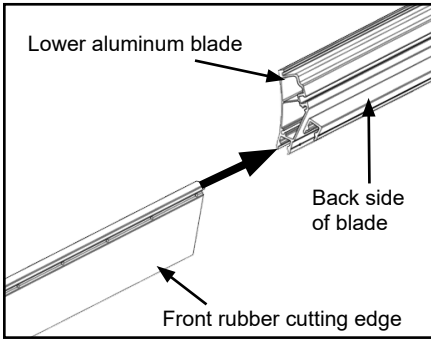
NOTE: Rubber cutting edges should be room temperature before assembling.

NOTE: If installing on a 9' blade, install smaller rubber cutting edges on opposite ends of blade.

- A. Align groove on front rubber cutting edge with front groove in lower aluminum blade.
- B. Slide front rubber cutting edge into front channel of lower aluminum blade and center.

TIP: Apply soapy water solution to top of rubber cutting edge and aluminum blade mounting channel for easier assembly.

- C. Align groove on rear rubber cutting edge with rear groove in lower aluminum blade.
- D. Slide rear rubber cutting edge into rear channel of lower aluminum blade and center.

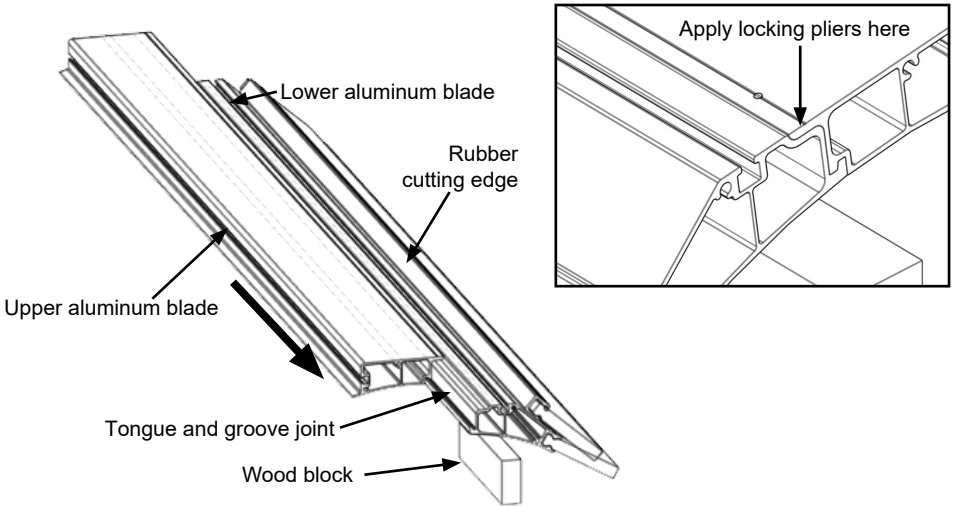


1: ASSEMBLING SNOWPLOW

E. Turn rubber cutting edge and lower aluminum blade over and set on wood blocks, one at each end.

F. Connect tongue and groove joint of upper and lower aluminum blade. Slide upper aluminum blade until centered with lower aluminum blade.

TIP: Once upper blade is centered, apply locking pliers on tongue and groove joint to ensure upper and lower aluminum blades remain aligned.



1: ASSEMBLING SNOWPLOW (Continued)

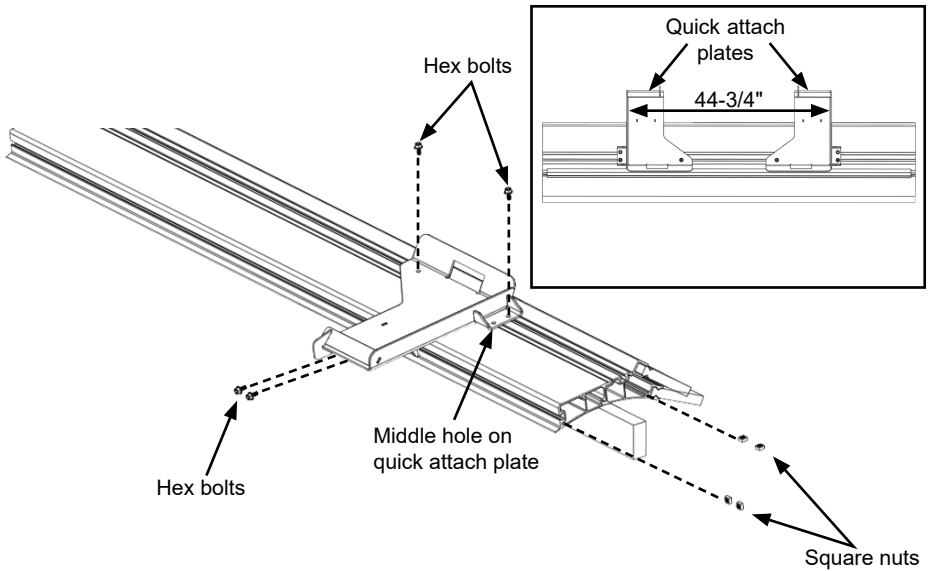
G. Align middle hole on quick attach plate with factory mark on back of blade. Insert (2) square nuts with flat side facing up in top and bottom channels of blade. Slide nuts to quick attach plate and align with holes.

H. Turn $3/8" \times 3/4"$ hex bolts into nuts in top and bottom sections of blade. Leave bolts loose.

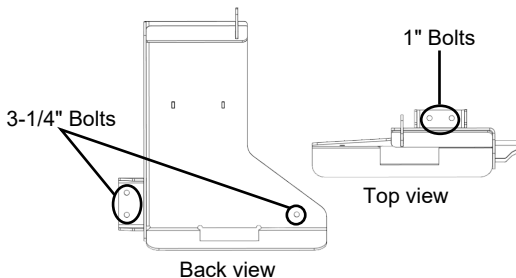
I. Repeat process for opposite quick attach plate. When both quick attach plates are properly aligned, inside edges of outer support of quick attach plates should measure $44-3/4"$ apart.

IMPORTANT: Measure universal quick attach mounting interface to verify that SNOWSPORT® Pro Utility Blade will properly attach, adjust quick attach plates if needed.

J. Use $9/16"$ wrench to tighten hex bolts in upper section first, then tighten hex bolts in lower section.



NOTE: One piece plows will use (2) $3/8" \times 1"$ self-threading flange bolts on the top and (3) $3/8" \times 3-1/4"$ hex bolts, washers and nylock flange nuts in the back.



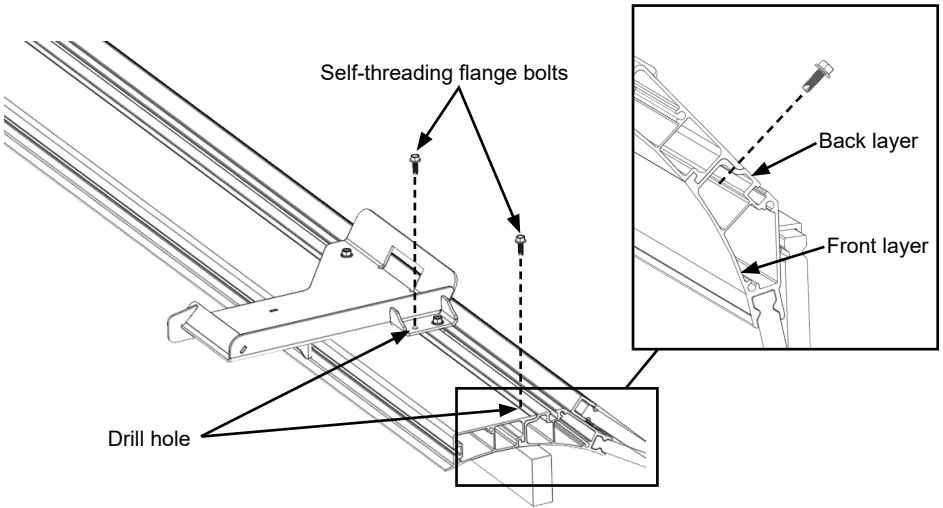
1: ASSEMBLING SNOWPLOW (Continued)

K. Use quick attach plates as template to drill 21/64" holes through back layer of aluminum at each factory marked location.

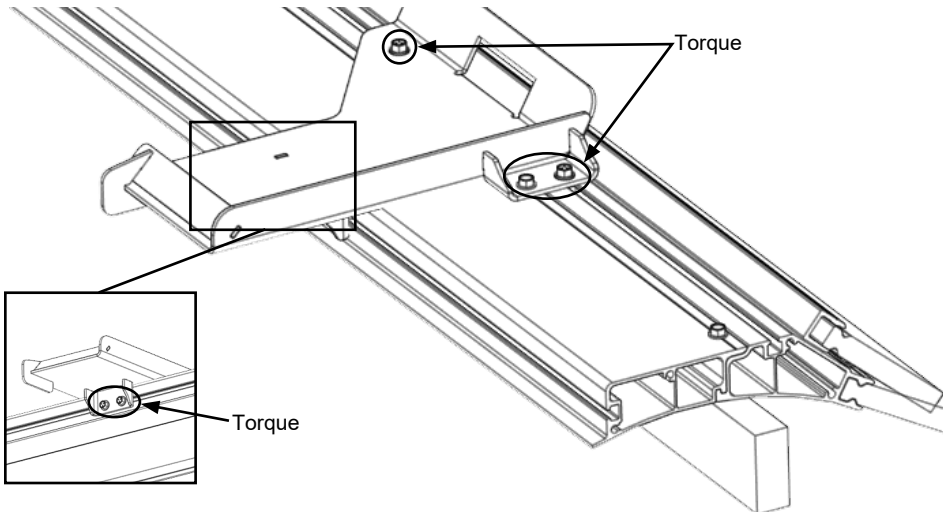
L. At tongue and groove joint, drill 21/64" hole through back layer of aluminum at factory mark in v-groove on each end of blade.

M. Turn 3/8" x 1" self-threading flange bolts into each drilled hole and tighten.

NOTE: Remove locking pliers after Step M.



N. Torque (10) quick attach plate bolts to 31 ft-lbs.



1: ASSEMBLING SNOWPLOW (Continued)

O. Center front rubber cutting edge with lower aluminum blade.

P. Slide rear rubber cutting edge to one side, then drill 21/64" hole for front rubber cutting edge at factory mark in groove at end of blade, drill only through first layer of aluminum and into rubber.

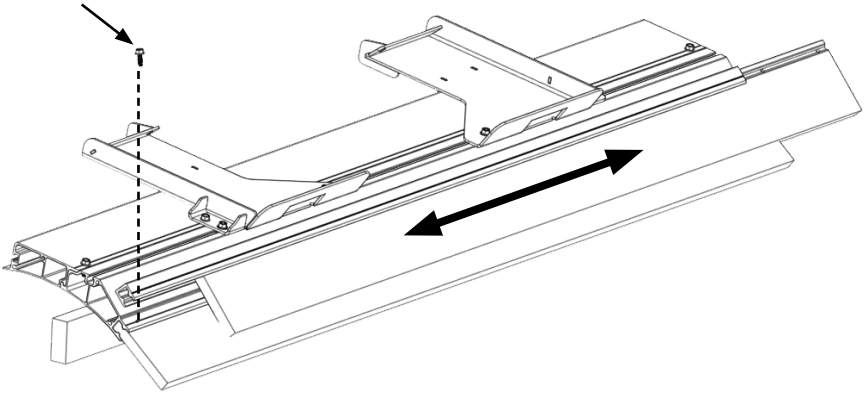
Tip: Use a rubber mallet to ease sliding of rubber cutting edge.

Q. Turn 3/8" x 1" self-threading flange bolt in hole and tighten.

R. Slide rear rubber cutting edge to the opposite side, then drill 21/64" hole for front rubber cutting edge at factory mark in groove at end of blade, drill only through first layer of aluminum and into rubber.

S. Turn 3/8" x 1" self-threading flange bolt in hole and tighten.

Self-threading
flange bolt

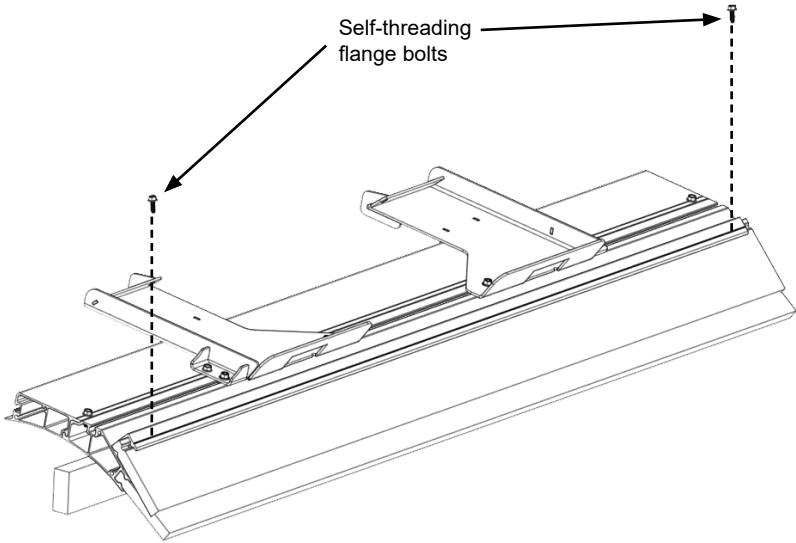


1: ASSEMBLING SNOWPLOW (Continued)

T. Center rear rubber cutting edge with lower aluminum blade.

U. Drill (2) 21/64" holes for rear rubber cutting edge at factory marks in groove at each end of blade, drill only through first layer of aluminum and into rubber.

V. Turn 3/8" x 1" self-threading bolts into holes and tighten.



1: ASSEMBLING SNOWPLOW (Continued)

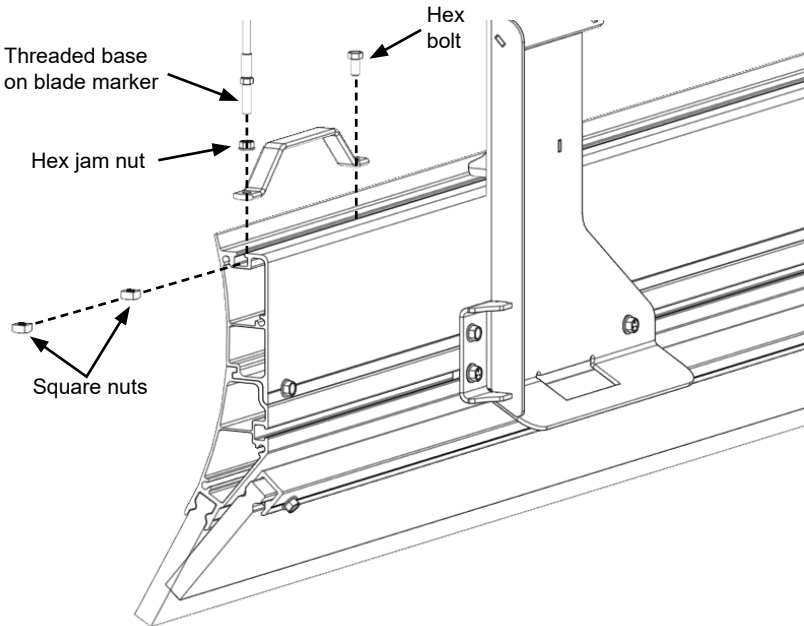
W. Attach aluminum blade to equipment.

X. Insert (2) square nuts with flat side up into top channel.

Y. Turn hex jam nut with flange side facing down onto threaded base of blade marker and align with hole on lift handle. Bolt blade marker and handle to blade using square nut in channel.

Z. Turn 3/8" x 3/4" hex bolt through other handle hole into nut in channel. Handle should be flush with blade edge. Tighten both bolts on lift handle.

AA. Repeat for blade marker on opposite side.

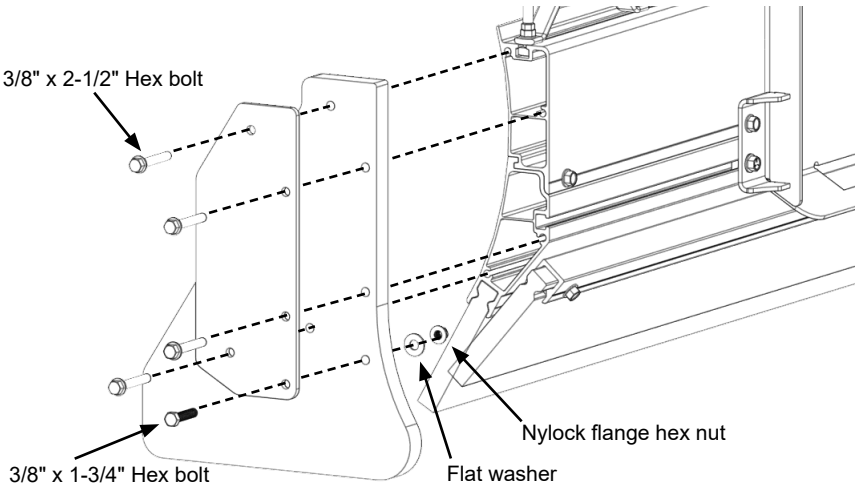


1: ASSEMBLING SNOWPLOW (Continued)

AB. Attach rubber box end and metal end plate to end of blade with (4) 3/8" x 2-1/2" hex bolts.

AC. Tighten all bolts until rubber begins to compress to blade. Insert 3/8" x 1-3/4" hex bolt to tighten bottom of rubber to bottom of end plate. Secure with washer and nylock flange hex nut.

AD. Tighten all bolts equally. Repeat box end assembly on opposite side.



OPERATING INSTRUCTIONS

TO ATTACH BLADE

Drive forward slowly, ensure proper alignment and engage universal quick attach mounting interface with quick attach plates. Then, secure quick attach wedge pins.

TO PUSH SNOW

Lower blade to ground and drive forward slowly. When pass is finished, lift blade to realign for next pass. Repeat this procedure until job is finished.

TO BACK DRAG

With blade slightly elevated, drive to desired location, lower blade to ground and back up slowly. Repeat this procedure until job is finished. Box ends extend past blade.

▲ CAUTION: Excessive down pressure may cause damage to surface and wear out cutting edge prematurely.

TO STORE BLADE DURING OFF SEASON

For maximum blade life, periodically retighten bolts and protect blade from sun by storing inside or covering.

MANUFACTURER'S LIMITED WARRANTY

Agri-Cover, Inc. extends the following Limited Warranty on its SNOWSPORT® Pro Utility Blade:

Agri-Cover, Inc. warrants its SNOWSPORT® Pro Utility Blade to be free from defects in material and workmanship under normal use for one (1) year from date of receipt or date of manufacture and separately warrants only the rubber blade portion of the SNOWSPORT® Pro Utility Blade to be free from defects in material and workmanship under normal use for three (3) years from date of receipt or date of manufacture. This Limited Warranty does not cover any failure due to abuse, misuse, alteration, neglect, improper assembly or installation, or improper maintenance.

Agri-Cover's sole obligation under this Limited Warranty or any implied warranty is limited to the repair or replacement at its option, of defective parts only. No labor or service allowance is given or implied. IN NO EVENT SHALL AGRI-COVER, INC. BE LIABLE FOR INCIDENTAL, CONSEQUENTIAL, OR SPECIAL DAMAGES. AGRI-COVER, INC. EXPRESSLY DISCLAIMS ANY AND ALL IMPLIED WARRANTIES OF MERCHANTABILITY, AND THERE ARE NO WARRANTIES WHICH EXTEND BEYOND THE LIMITED WARRANTY DESCRIPTION CONTAINED HEREIN.

For warranty, have serial number ready and fill out the warranty claim form at agricover.com/warrantyclaim or call Customer Service Department at 800-689-6612 to determine if only a replacement part is needed or if the product needs to be returned for inspection and repair. Goods to be returned must have a pre-authorized RA # (Return Authorization Number) – obtained by calling the number above. Mark the number on the package and ship it freight prepaid to address below. Agri-Cover will pay freight to return goods to sender.

This Limited Warranty gives you specific legal rights and you may have other rights, which vary, from state to state.

For replacement parts shop at snowsportparts.com or call Customer Service at 800-689-6612.



Agri-Cover, Inc.
Customer Service Dept
3000 Hwy 281 SE
Jamestown, ND 58401
Phone: 800-689-6612

Hours: 8:00 am - 5:00 pm CST Monday through Friday, except Holidays