

HARD COVER LATCH REPLACEMENT INSTALLATION INSTRUCTIONS



NOTICE TO INSTALLER: Even if familiar with product, read instructions prior to installation as improvements may be made without notice. Always handle components with care. When done, these special instructions must be given to the consumer.

NOTICE TO CONSUMER: Before using this product, read instructions. Save these instructions for future reference.

PREPARATION

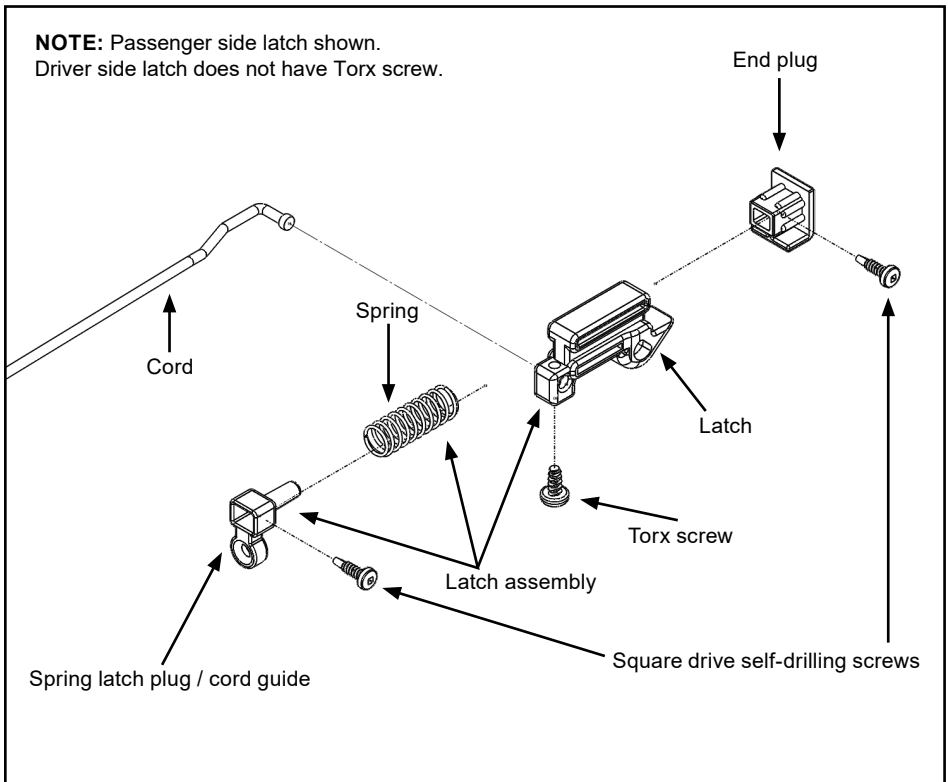
TOOLS NEEDED

- Phillips or Square drive screwdriver
- Protective eyewear
- Tape measure
- T-30 Torx wrench
- Scissors

NOTE: Hardware appearance and components may vary.

▲ CAUTION: Over tightening hardware may damage components.

PARTS DIAGRAM



1: REMOVING EXISTING LATCH

A. Fold rear panel so bottom faces up. At one side, compress spring and remove cord from latch.

B. Remove (2) screws securing latch assembly. Save screws for installation of new latch.

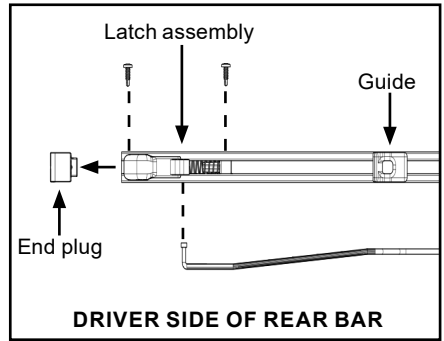
NOTE: Kit contains (2) new screws, provided as extras.

C. Remove end plug and latch assembly. Save end plug for reinstallation.

D. Remove cord from guides. Make note how cord is routed through guides. The new cord will need to be routed the same way during installation.

E. Clean channel of debris. If needed, deburr rough edges around screw holes to ensure new latch slides back and forth freely.

F. Repeat Steps 1B-E on opposite side.

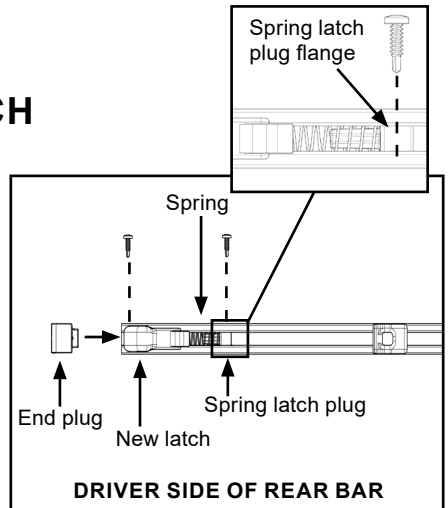


2: INSTALLING NEW LATCH

A. On driver side, slide spring latch plug into channel with shaft facing end plug.

B. Center spring latch plug flange over hole in channel, then secure with screw.

C. Slide spring into channel and onto shaft of spring latch plug.

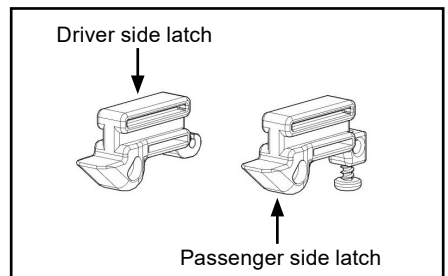


D. Insert new latch against spring.

NOTE: Passenger side latch contains screw.

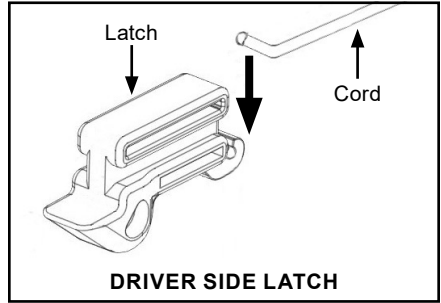
E. Reinsert end plug by gently tapping into rear bar, then secure with screw.

F. Repeat Steps 2A-E on passenger side.



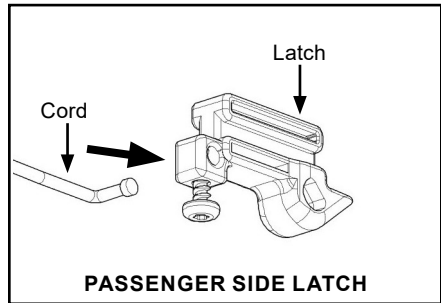
3: INSTALLING NEW LATCH CORD

- A. On driver side, attach new cord to latch.
- B. Route cord through guides.



- C. On passenger side, Insert cord into latch.
- D. Pull cord tight without compressing springs.
- E. Tighten screw in passenger side latch with T-30 Torx wrench until flush.
- F. Trim cord.

⚠ CAUTION: Always cut away from yourself and others.



4: OPERATING LATCH

- A. Test latch operation by closing cover.
- B. To open, lightly pull down on cord and fold panel toward cab.

NOTE: If latch doesn't engage side rail, inspect location of screw. Make adjustments until latch functions properly.

