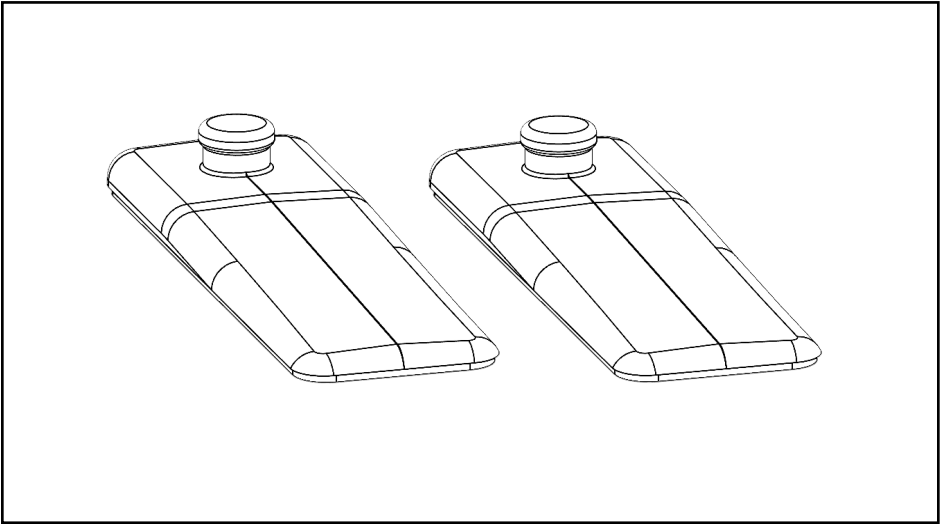


HARD TRUCK BOX COVER ANCHOR REMOVAL INSTRUCTIONS



NOTICE: Use these instructions to remove the Anchors for your hard cover. Even if familiar with product, read instructions prior to use as improvements may be made without notice. Always handle components with care.

PREPARATION

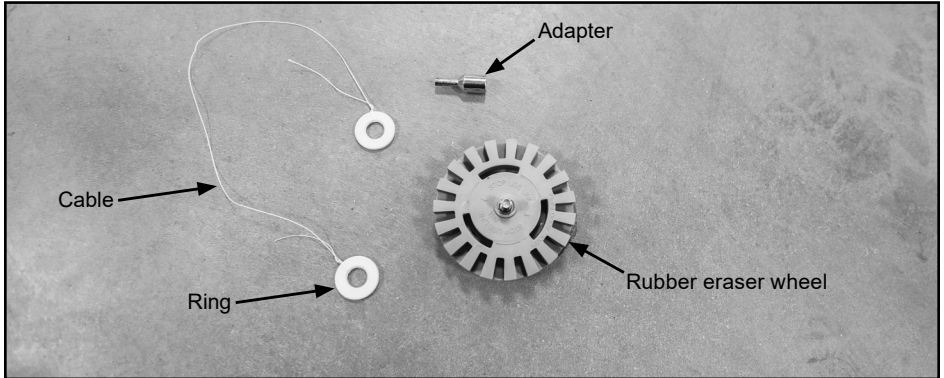
COMPONENTS

- Cable with rings
- Rubber eraser wheel
- Adapter

TOOLS NEEDED

- Electric drill
- Gloves
- Protective eyewear

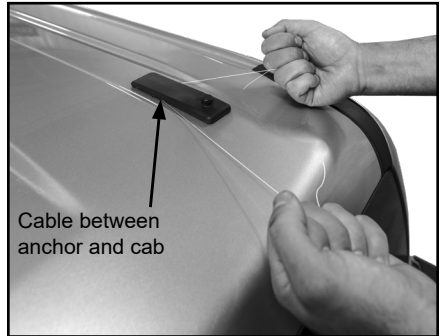
PARTS DIAGRAM



1: REMOVING ANCHORS

NOTE: Anchor replacement kit, PN 4005295, is available at additional cost.

A. With ring in each hand, place cable at far end of anchor and remove with a sawing motion.



B. Attach adapter to rubber eraser wheel and electric drill, then remove adhesive residue.

