

ROLL UP TRUCK BOX COVER SPECIAL BOLT ON SIDE RAIL INSTRUCTIONS



2019-ON GMC 1500 CARBONPRO™ BOX

Read and follow these special instructions along with the standard instructions carefully before installing or using this cover.

NOTICE TO INSTALLER: Even if familiar with product, read special instructions prior to installation as improvements may be made without notice. Always handle components with care. When done, these instructions must be given to the consumer.

NOTICE TO CONSUMER: Before using this product, read special instructions. Save these special instructions for future reference.

PREPARATION

TOOLS NEEDED

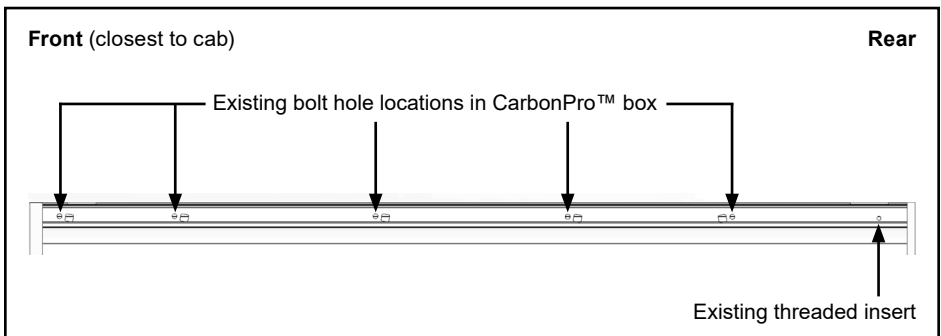
- Ratchet with short extension and 10mm socket
- Drill with 1/4" bit
- Protective eyewear
- Flat head screwdriver (optional)

⚠ CAUTION: Over tightening hardware may damage components or truck.

IMPORTANT: Before installing this product, ensure truck has composite walls inside box.

CARBONPRO™ BOX DIAGRAM

NOTE: Sixth hole location is at existing threaded insert.



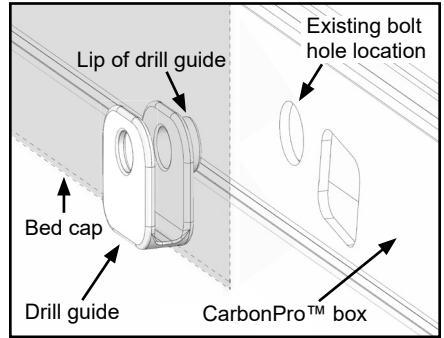
1: INSTALLING SIDE RAILS

A. Slide drill guide on bed cap edge until drill guide lip inserts into existing bolt hole location in CarbonPro™ box.

B. Use guide to drill 1/4" hole into bed cap.

▲ CAUTION: Only drill through bed cap.

C. Repeat for (5) remaining hole locations.

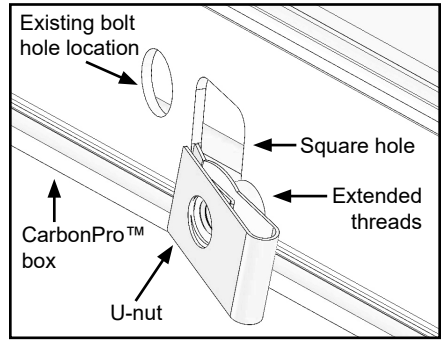


D. Start at front of box, use square hole to slide u-nut on CarbonPro™ box until extended threads align with existing bolt hole location.

TIP: Access square holes in CarbonPro™ box by pulling back bed cap edge. Use a flat head screwdriver to help insert u-nuts.

E. Repeat for next (4) bolt hole locations.

NOTE: Fifth bolt hole location is on tailgate side of square hole.

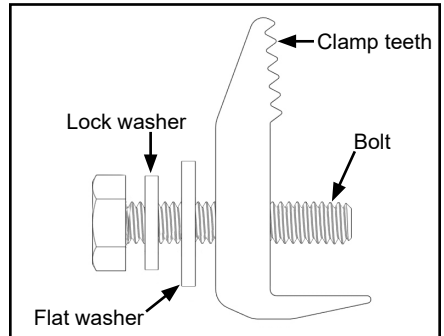


F. Insert bolt with lock and flat washers through hole in clamp. With clamp teeth up, start threads at existing bolt hole location. Leave bolt loose for now.

G. Repeat for (5) remaining hole locations.

H. Position cover side rail between (6) clamps and box wall. Use standard instructions for the correct height and position of side rail.

IMPORTANT: Ensure all clamp teeth engage side rail grooves.



I. Starting at front of box, tighten all bolts. Use caution when tightening bolts to avoid damage.

J. Repeat Step 1 to install side rail on opposite side.

K. For remaining cover installation, refer to standard instructions.

