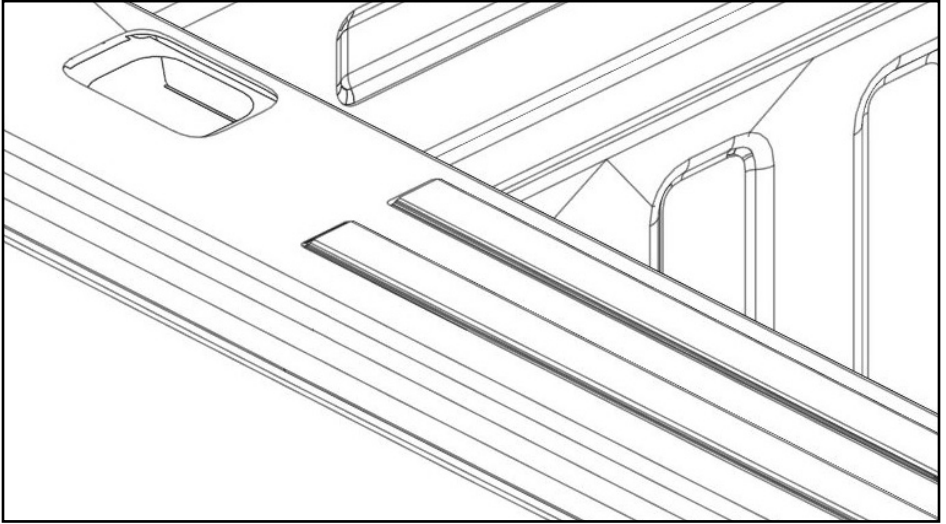


TRUCK BED RACK OR RAIL SPECIAL STAKE POCKET INSTRUCTIONS



2007-2021 TOYOTA TUNDRA

Use these instructions to locate and trim stake pockets to prepare them for truck bed rack or rail clamping hardware.

NOTICE TO INSTALLER: Even if familiar with product, read instructions prior to installation as improvements may be made without notice. Always handle components with care. When done, these instructions must be given to the consumer.

NOTICE TO CONSUMER: Before using this product, read these instructions. Save these instructions for future reference.

PREPARATION

TOOLS NEEDED

- Utility knife
- Drill with 1/2" bit
- Marking pen
- Tape measure
- Protective eyewear

NOTE: Box or stake pocket appearance may vary.

SAFETY INFORMATION

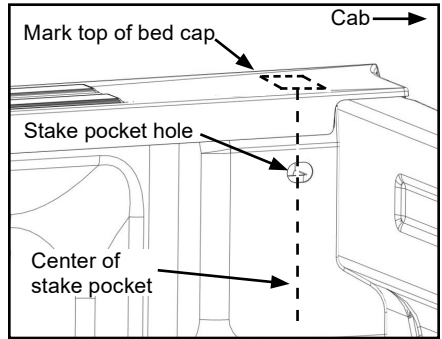
- Always exercise caution when using a utility knife.
- Always cut away from yourself and other people.

NOTE: Always check if your vehicle has removable stake pocket covers before proceeding.

1: LOCATING FRONT CONCEALED STAKE POCKET

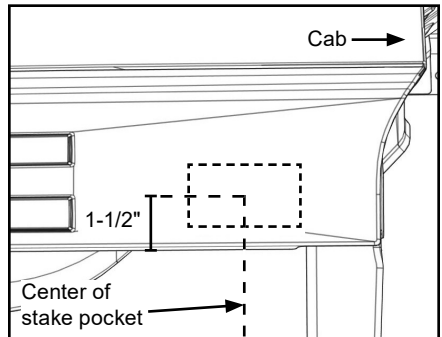
A. On inside of box, locate center of stake pocket. Stake pocket is identified by hole behind front bulkhead near top of box.

B. Use stake pocket hole as guide to mark top of bed cap.



C. On top of bed cap, measure 1-1/2" from inside edge of bed cap and make another line that intersects with first center line.

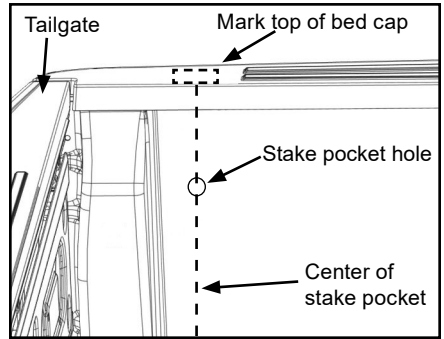
D. Repeat for remaining front stake pocket.



2: LOCATING REAR CONCEALED STAKE POCKET

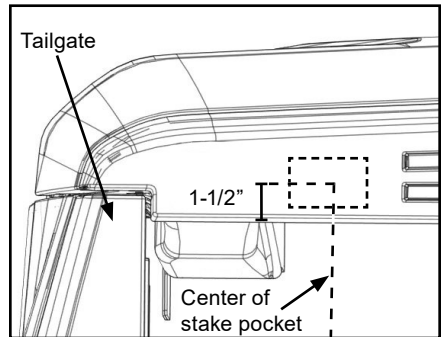
A. On inside of box, locate center of stake pocket. Stake pocket is identified by hole in front of support column, near top of box.

B. Use stake pocket hole as guide to mark top of bed cap.



C. On top of bed cap, measure 1-1/2" from inside edge of bed cap and make another line that intersects with first center line.

D. Repeat for remaining rear stake pocket.



3: OPENING CONCEALED STAKE POCKET

A. Set rail on bed cap to verify front and rear slotted holes in rail align with marks made on bed caps in Steps 1 and 2. Rail should not pass front edge of box.

B. At front of box, drill a 1/2" hole through bed cap where lines intersect.

C. Make a series of cuts from drilled hole out toward edge on all 4 sides until finding metal edges of stake pocket.

D. Trim bed cap along sides of metal pocket.

E. Repeat for rear stake pocket.

F. Repeat Steps 3 A-E on opposite side.

