

CONTENTS: Load Dividers, channel nuts, 3/8" x 1" hex bolts, top caps, flat washers and lock washers

- Always distribute weight evenly
- Verify ADARAC™ and Load Dividers are mounted securely before loading cargo or operating truck
- Always use caution when loading or unloading cargo
- Adhere to safety warnings and cautions outlined in ADARAC™ Installation Instructions (available at adarmac.com)

SAFETY INFORMATION

▲WARNING: Each Load Divider has a maximum load capacity of 100 lbs. DO NOT EXCEED this capacity.

TOOLS: Protective eyewear, ratchet and 9/16" socket

REQUIREMENT: ADARAC™ Cross Bars with mounting channels

LOAD DIVIDER INSTALLATIONS



LOAD DIVIDER KIT

- Quickly and easily secure cargo
- Freely reposition along cross bar
- Simple installation



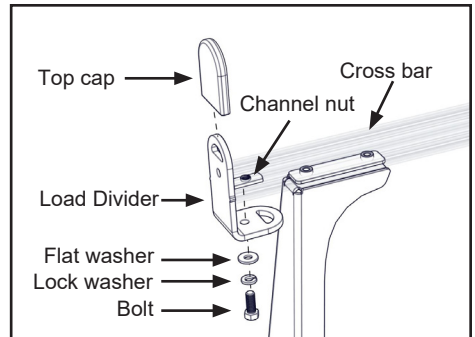
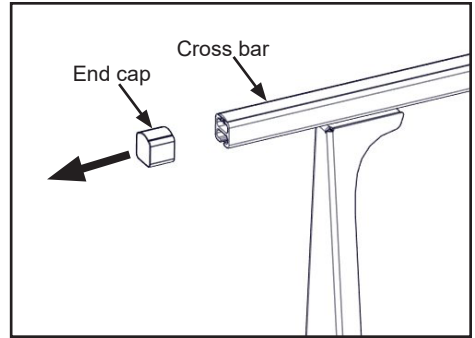
LOAD DIVIDER INSTALLATION

Typically, Load Dividers are installed to the end of cross bars or in between uprights along cross bars. Perform one of the following to install a Load Divider in the desired location.

END OF CROSS BAR INSTALLATION:

- A. Pull end cap away from cross bar.
- B. At base of cross bar, insert channel nut into mounting channel with extended thread facing up.
- C. Align Load Divider mounting hole with channel nut.
- D. Insert bolt with lock and flat washers then finger tighten.
- E. Place top cap on free end of Load Divider.
- F. Fully tighten and secure all Load Divider bolts.

IMPORTANT: Verify Load Dividers are mounted securely before loading cargo or operating truck.



IN BETWEEN UPRIGHTS INSTALLATION:

- A. Under cross bar, tilt channel nut into mounting channel with extended thread facing up.
- NOTE:** It is not required to remove uprights from cross bars when inserting channel nuts.
- B. With Load Divider in desired orientation, align mounting hole with channel nut.
 - C. Insert bolt with lock and flat washers then finger tighten.
 - D. Place top cap on free end of Load Divider.
 - E. Fully tighten and secure all Load Divider bolts.

IMPORTANT: Verify Load Dividers are mounted securely before loading cargo or operating truck.

