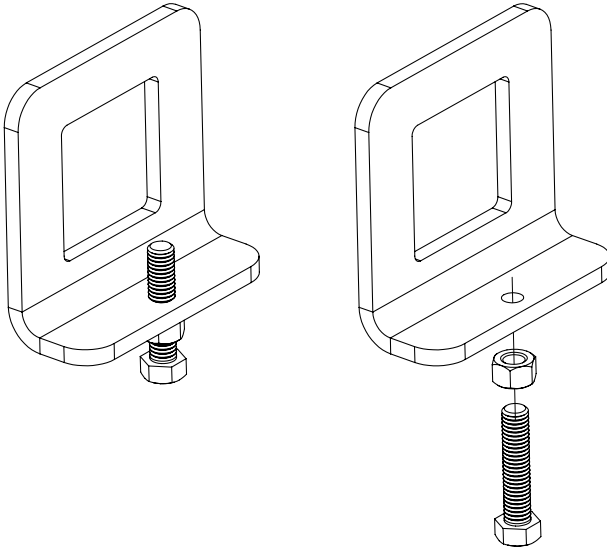


# Anti-Rattle Clamp Instructions



## Special Anti-Rattle Clamping Instructions for 2" Ball Mounts

**INSTALLER:** These instructions must be given to the consumer.

**CONSUMER:** Save this insert for future reference.

**READ AND FOLLOW THESE INSTRUCTIONS CAREFULLY BEFORE  
INSTALLING OR USING THIS PRODUCT.**

Actual parts may vary from those shown in this booklet.

# PREPARATION

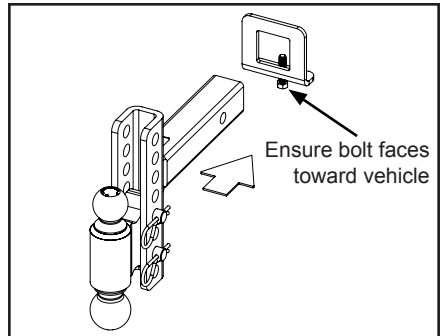
## TOOLS NEEDED

3/8" box wrench  
Protective eyewear

## 1: ANTI-RATTLE CLAMP INSTALLATION

A. Remove receiver pin and slide ball mount out from receiver. Slide clamp onto ball mount. Ensure bolt on clamp faces toward vehicle.

**NOTE: If installing hitch mounted mud flaps, install them first then the clamp. Adjustments may be needed in some cases.**



B. Slide ball mount back into receiver. Engage and tighten bolt on receiver, then tighten nut on clamp.

**For remaining mud flap installation, please refer to owner's manual.**

