

# SEMI GRAIN AND PUP TRAILER ELECTRIC KIT BOX DETAIL SHEET

**Please complete form thoroughly.**

Missing information may delay order processing.

Date: \_\_\_\_\_

ACI Sales Representative: \_\_\_\_\_

**Phone** 800-233-4655

**Fax** 800-592-4460

**Email** orderdesk@agricover.com

**Mail** PO BOX 508

Jamestown, ND 58402

NOTE: Accurate PHYSICAL measurements are ESSENTIAL for proper tarp fit. Always use actual tape measurements. NEVER RELY ON UNIVERSAL BOX SIZES.

If installing on a trailer with an existing electric tarp (not an Agri-Cover system) additional wiring components may be needed.

**NOTE: Prices for option below are in addition to cost of tarp.**

**ELECTRIC TARP KITS** (See Ag Price Book for Kit Numbers)

- Grain Trailer Kit # \_\_\_\_\_
- Pup Trailer Kit # \_\_\_\_\_

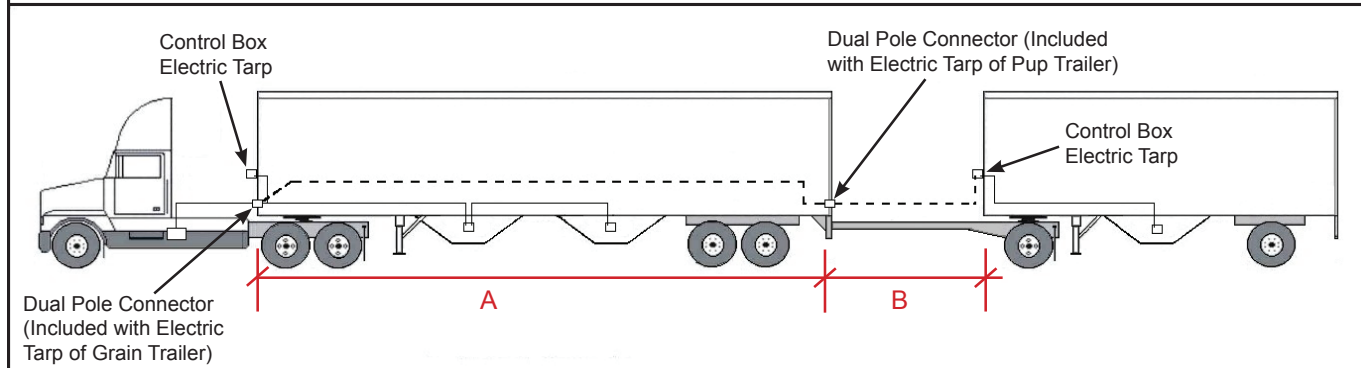
NOTE: If not installing an electric tarp on lead trailer, **PN 90144** will need to be ordered. If not installing an electric tarp on pup trailer, **PN 40918** will need to be ordered. (See Below)

**ELECTRIC HOPPER KITS** (See Ag Price Book for Kit Numbers)

- Grain Trailer Kit # \_\_\_\_\_
- Pup Trailer Kit # \_\_\_\_\_

**EXTRAS NEEDED**

- Eyelet Terminal Ring 1/4" (2 extra needed) - Quantity \_\_\_\_\_ **PN 60598**
  - Heat Shrink Kit (10 pieces included) **PN 30649**
  - Extra Wire (see diagram below) **PN 60768**
  - Cable Tie 11" - Quantity \_\_\_\_\_ **PN 10867**
  - Dual Pole Connector (if needed) **PN 40918**
  - Tractor Wiring Kit (if needed) **PN 90144**
- A. Select best routing along frame from the dual pole connector at the front of the lead trailer (location of dual pole connector) to the rear of the lead trailer (location of second dual pole connector). Measure amount of wire needed. \_\_\_\_\_ ft
- B. Select the best routing from dual pole connector at rear of lead trailer along tongue of pup to the mounting location of the control box on front of pup. Measure amount of wire needed. \_\_\_\_\_ ft
- Extra Wire **Total** Length (A+B) \_\_\_\_\_ ft



By submitting this order, I accept the terms and conditions of Agri-Cover, Inc.

**NO RETURNS**