



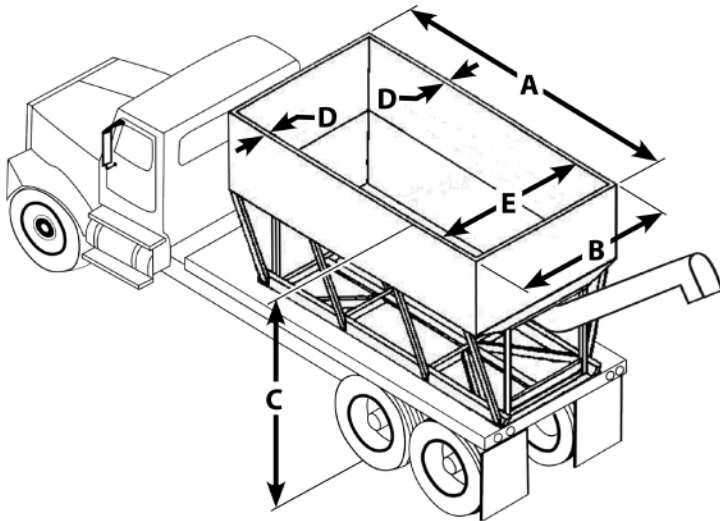
# FERTILIZER SPREADER / TENDER BOX DETAIL SHEET

Please complete form thoroughly. Missing information may delay order processing.

AGRI-COVER, INC.  
PO Box 508  
3000 Hwy 281 SE  
Jamestown, ND 58402

Phone: (800) 233-4655  
Fax: (800) 592-4460  
www.agricover.com

**NOTE:** Accurate *PHYSICAL* measurements are *ESSENTIAL* for proper tarp fit  
Always use actual tape measurements. NEVER RELY ON UNIVERSAL BOX SIZES.



Sales Representative: \_\_\_\_\_

**CONTACT INFORMATION**

Name \_\_\_\_\_  
Address \_\_\_\_\_  
City \_\_\_\_\_ State \_\_\_\_\_ Zip \_\_\_\_\_  
Phone \_\_\_\_\_ Fax \_\_\_\_\_

**TYPE OF TARP SYSTEM**

- |   |  |
|---|--|
| <input type="checkbox"/> SRT-2™ Manual                  | <input type="checkbox"/> EZ-LOC® Manual                  |
| <input type="checkbox"/> SRT-2™ Electric*               | <input type="checkbox"/> EZ-LOC® Electric*               |
| <input type="checkbox"/> SRT-2™ Wireless Remote Option* | <input type="checkbox"/> EZ-LOC® Wireless Remote Option* |

**TARP COLOR**

- Standard:**  
 Black     White
- Optional\*:**  
 Gray     Blue     Red     Orange  
 Green     Brown     Yellow     Multi-Color

**STYLE OF END CAPS**

- Stainless Steel Standard 7"  
 Stainless Steel Tall 12" (recommended)

**SPREADER**

Make: \_\_\_\_\_  
 Model: \_\_\_\_\_ Year: \_\_\_\_\_  
 Granular Bin:     Inside Box     Outside Box  
 Spreader Style:  
 Self Propelled     Air System  
 Spinner     Pull Type Spinner

**TENDER**

Make: \_\_\_\_\_  
 Model: \_\_\_\_\_ Year: \_\_\_\_\_  
 Truck Mounted     Tender Mounted  
 Spreader Style:  
 Rear     Side Fold Rear     Rear Over Box

**OUTSIDE DIMENSIONS**

A \_\_\_\_\_ Top Outside Box Length  
 B \_\_\_\_\_ Top Outside Box Width  
 (If box has **Extensions** measure outside of extensions on the angle)  
 C \_\_\_\_\_ Box Height (from ground)  
 D \_\_\_\_\_ Top Rail Width  
 E \_\_\_\_\_ Inside Box Width

\* Optional items are additional cost

**IMPORTANT:**

- Manual crank system will not work on air systems with rear manifold distributor.
- Manual cranks will work on most spinner spreaders.
- AirMax/Loral may need an extension, so tarp will roll over far enough to seal, boom rests may need minor modification to clear.
- Ag Chem Spreaders with inside Granular bins require a special rear cap, set back 6".
- Loral units with rear granular attachment utilize same front and rear cap.

**SPECIAL NOTES:**

\_\_\_\_\_

\_\_\_\_\_

\_\_\_\_\_

\_\_\_\_\_

\_\_\_\_\_

\_\_\_\_\_

\_\_\_\_\_

\_\_\_\_\_

*By submitting this order, I accept the terms and conditions of Agri-Cover, Inc.  
 Go online at [agricover.com](http://agricover.com) for videos, instructions, order forms, and product information.*