

# FARM TRUCK AND SEED TENDER BOX DETAIL SHEET

Please complete form thoroughly.

Missing information may delay order processing.

Date: \_\_\_\_\_

ACI Sales Representative: \_\_\_\_\_

Phone 800-233-4655

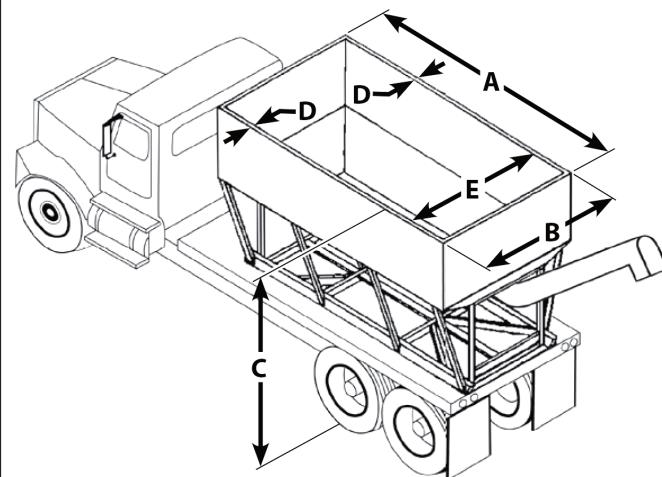
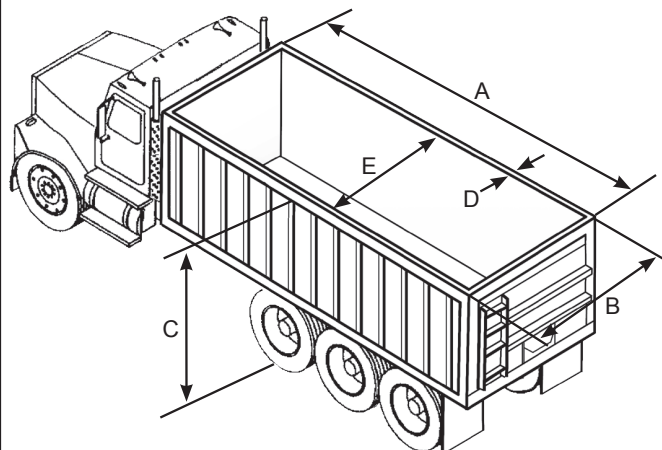
Fax 800-592-4460

Email orderdesk@agricover.com

Mail PO BOX 508

Jamestown, ND 58402

NOTE: Accurate PHYSICAL measurements are ESSENTIAL for proper tarp fit. Always use actual tape measurements. NEVER RELY ON UNIVERSAL BOX SIZES.



## BOX MEASUREMENTS

A \_\_\_\_\_ Top Outside Box Length  
 B \_\_\_\_\_ Front Top Box Width Center Rear  
 C \_\_\_\_\_ Box Height (from ground)  
 D \_\_\_\_\_ Top Rail Width  
 E \_\_\_\_\_ Inside Box Width

Notes/Additional Part Numbers:

\_\_\_\_\_  
 \_\_\_\_\_  
 \_\_\_\_\_  
 \_\_\_\_\_

## CONTACT INFORMATION

Name \_\_\_\_\_

Address \_\_\_\_\_

City \_\_\_\_\_ State \_\_\_\_\_ Zip \_\_\_\_\_

Phone \_\_\_\_\_ Fax \_\_\_\_\_

Box/Trailer Make & Year \_\_\_\_\_

## TYPE OF TARP SYSTEM

SRT-2®, EZ-LOC®, & ROLTEC® systems up to 24' long

- |   |  |
|---|--|
| <input type="checkbox"/> Manual                   | <input type="checkbox"/> Electric              |
| <input type="checkbox"/> SRT-2 Spool Roll Tarp    | <input type="checkbox"/> Command-10 Remote     |
| <input type="checkbox"/> EZ-LOC Roll-Up Tarp      | <input type="checkbox"/> Command Station       |
| <input type="checkbox"/> EZ-LOC Roll-Up Tarp SST  | <input type="checkbox"/> Cab Operated Electric |
| <input type="checkbox"/> ROLTEC Side Locking Tarp |  |

## OPTIONS

- BOWS**  Add Bows\* Qty. \_\_\_\_  Do Not Add Bows  
 Add HD Aluminum Bows\* Qty. \_\_\_\_

## END CAPS

Select Rise (7" is standard):  7" Rise  12" Rise

Select Material (standard is Galv.):  Galv.  Alum.\*  SST\*

Select Mounting Method (Standard is Front Side, Rear Top)

- |   |  |
|---|--|
| <input type="checkbox"/> Front Side Mounted | <input type="checkbox"/> Front Top Mounted |
| <input type="checkbox"/> Rear Side Mounted  | <input type="checkbox"/> Rear Top Mounted  |

On ROLTEC Tarp Orders, Select Depth of End Caps:

- |  |   |
|--|---|
| <input type="checkbox"/> 10" Deep Standard | <input type="checkbox"/> 14" Deep Option* |
|--|---|

On EZ-LOC Tarp Orders Add Bolt-On End Cap Bracket:

- |                             |                               |
|-----------------------------|-------------------------------|
| <input type="checkbox"/> No | <input type="checkbox"/> Yes* |
|-----------------------------|-------------------------------|

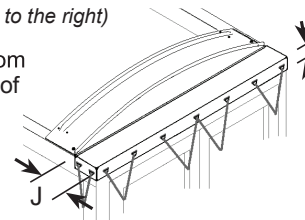
Quick Release End Cap Bracket Option\*

- |                              |                             |  |
|------------------------------|-----------------------------|--|
| <input type="checkbox"/> Yes | <input type="checkbox"/> No | (available in Galvanized or Aluminum only) |
|------------------------------|-----------------------------|--|

Rear Filler Option\* (see image to the right)

J \_\_\_\_\_ Dimension of filler from back of gate to front of hinge pin where end cap will set (inches)

K \_\_\_\_\_ Dimension of drop (inches)



TARP FABRIC  18 oz.  22 oz.\*\*

(EZ-LOC & ROLTEC systems only)

TARP COLOR

Standard kit comes with a black tarp. Please specify if you would like a different color.

- |  |                                  |                                 |                                 |                                 |
|--|----------------------------------|---------------------------------|---------------------------------|---------------------------------|
| <input type="checkbox"/> Black**   | <input type="checkbox"/> White** | <input type="checkbox"/> Gray** | <input type="checkbox"/> Green  | <input type="checkbox"/> Blue** |
| <input type="checkbox"/> Orange  | <input type="checkbox"/> Red**   | <input type="checkbox"/> Brown  | <input type="checkbox"/> Yellow |                                 |
| <input type="checkbox"/> Optional* 18 oz. Multi-Color (Please select 2 colors above) |                                  |                                 |                                 |                                 |

\*Optional Items are additional cost

\*\* 22 oz. fabric available in Black, White, Gray, Blue, Red only

By submitting this order, I accept the terms and conditions of Agri-Cover, Inc.

**NO RETURNS**