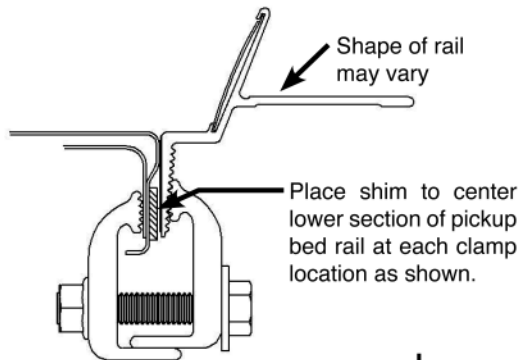




07-08 Chevy/GMC NEW BODY Shim Kit Special Instructions

IMPORTANT

Include Shim with clamp - Clamp only where two layers of sheet metal are present.



Clamp 15½" from tailgate

Clamp 6" from center of stake pocket area

Clamp 11" from front of bulkhead

NOTE: On Toolbox kits move clamp and shim at 11" location to front of cover side rail.

Install clamp and shim here where 2 layers of sheet metal are present

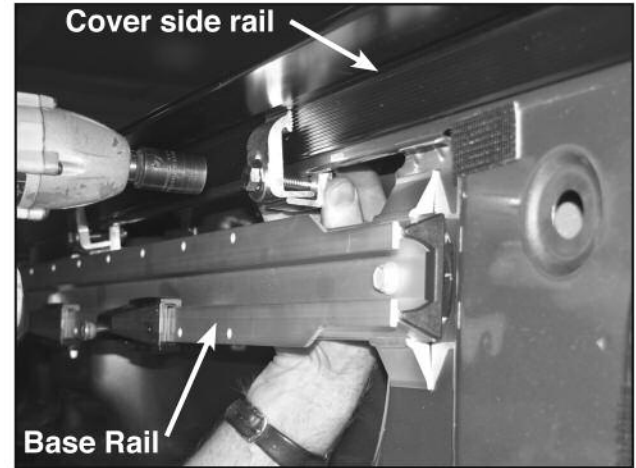
Install clamp and shim here where 2 layers of sheet metal are present

NOTE:
On kits with 3 clamps - omit clamp and shim at this location

Clamping Tip: 07-08 Chevy/GMC NEW BODY with Base Rail System



1. Do not disassemble clamp. Hold clamp as shown and reach up behind base rail. Then with clamp jaws open, tilt clamp and guide it to allow box lip to slip between clamp jaws.



2. Hold clamp up as shown. Make sure clamp is located where two layers of sheet metal are present and tighten. Locate each clamp as shown on front side of these instructions and tighten.