

**Please complete form thoroughly.**

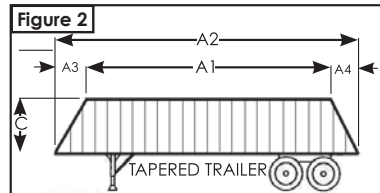
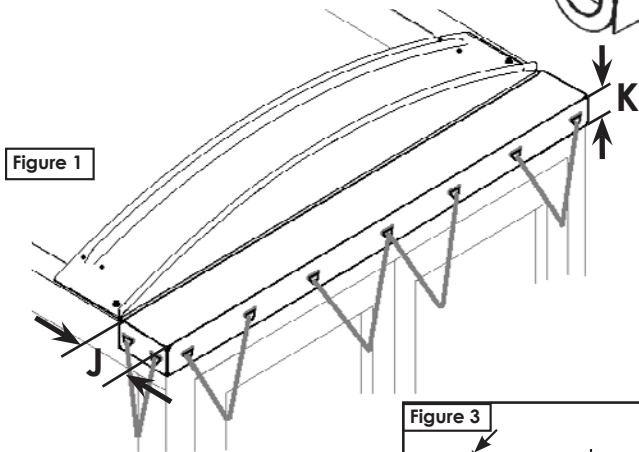
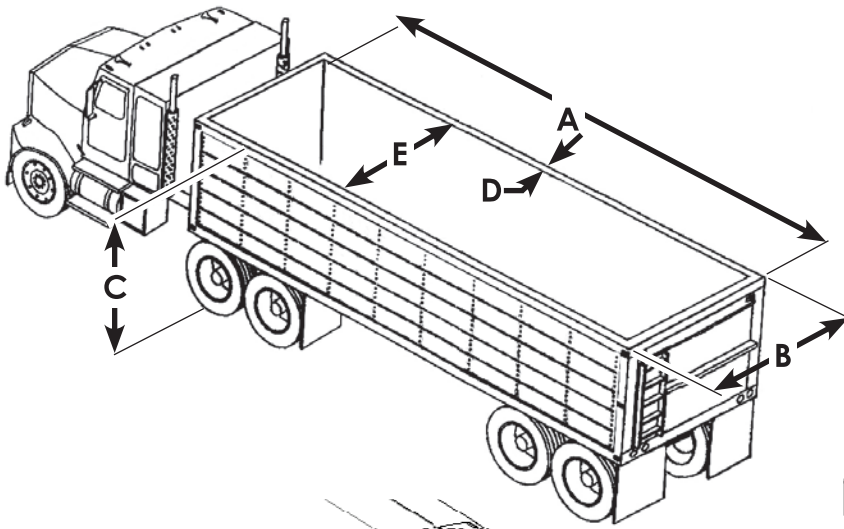
Missing information may delay order processing.

AGRI-COVER, INC.  
PO Box 508  
3000 Hwy 281 SE  
Jamestown, ND 58402

Phone: (800) 233-4655  
Fax: (800) 592-4460  
www.agricover.com



**NOTE:**  
Accurate **PHYSICAL** measurements are **ESSENTIAL** for proper tarp fit  
Always use actual tape measurements. **NEVER RELY ON UNIVERSAL BOX SIZES.**



**Figure 3**

To measure radius corners, place a **carpenter's square** on the front radius of the trailer. Measure at the point where the radius starts to arch around the front of the trailer.

ACI Sales Representative: \_\_\_\_\_

**CONTACT INFORMATION**

Name \_\_\_\_\_  
Address \_\_\_\_\_  
City \_\_\_\_\_ State \_\_\_\_\_ Zip \_\_\_\_\_  
Phone \_\_\_\_\_ Fax \_\_\_\_\_

Box/Trailer Make & Year \_\_\_\_\_

**TYPE OF TARP SYSTEM** EZ-LOC®, AUTOLOCK™ & ROLTEC™ up to 53' Long

Semi Trailer     Pup Trailer

EZ-LOC® Manual     AUTOLOCK™ Electric\*

EZ-LOC® Electric\*     ROLTEC™ Manual

EZ-LOC® Stainless Steel     Add Electric Wireless Remote\*

EZ-LOC® Stainless Steel Electric\*

**BOWS ARE NOT INCLUDED** ON BOXES OVER 24' LONG

Add Bows\*     Do Not Add Bows

**TARP COLOR**

**Standard:**  Black     White     Ocean Blue  
 Gray     Orange     Red  
 Green     Brown     Yellow

**Optional\*:**  Multi-Color

**STYLE OF END CAPS**

- 1) Select Rise (Standard is 7"):  7" Rise     12" Rise
- 2) Select Material (Standard is Galv.):  Galv.     Alum.\*     SST\*
- 3) Select Mounting Method (Standard is Front Side, Rear Side):  
 Front Side Mounted     Front Top Mount  
 Rear Side Mount     Rear Top Mount
- 4) On ROLTEC™ Tarp Orders, Select Depth of End Caps:  
 10" Deep Standard     14" Deep Option\*
- 5) On EZ-LOC® Tarp Orders add Bolt-On Bracket Upgrade:  
 No     Yes\*

**QUICK RELEASE END CAP OPTION\***

Yes     No (available in Galvanized or Aluminum only)

**REAR FILLER OPTION\* (See Figure 1)**

J \_\_\_\_\_ Dimension of filler from back of gate to front of hinge pin where end cap will set (inches)  
K \_\_\_\_\_ Dimension of drop (inches)

**MEASUREMENTS** (See Figure 2)

Please provide **EXACT** measurements

**CORNER CONFIGURATION** (See Figure 3)

A \_\_\_\_\_ Top Box Length (give A1, A2, A3 and A4 for Grain Trailer - Figure 1.)  
A1 \_\_\_\_\_ Tapered Top Length    A3 \_\_\_\_\_ Front  
A2 \_\_\_\_\_ Tapered Lower Length    A4 \_\_\_\_\_ Rear

B \_\_\_\_\_ Front Top Box Width Center Rear  
C \_\_\_\_\_ Box Height  
D \_\_\_\_\_ Top Rail Width  
E \_\_\_\_\_ Inside Box Width

Square     Diagonal     Radius

F \_\_\_\_\_ Outside Corner Radius (needed on all radius fronts)

G \_\_\_\_\_ Flat Across Front

H \_\_\_\_\_ Flat Across Diagonal

I \_\_\_\_\_ Diagonal Depth

\* Optional items are additional cost

**FOR COMPLETE KIT PRICING PLEASE REFER TO:  
PAGE 8—SEMI GRAIN AND PUP TRAILER BOXES**

**By submitting this order, I accept the terms and conditions of Agri-Cover, Inc.**

Go online at [agricover.com](http://agricover.com) for videos, instructions, order forms, and product information.

SEMI GRAIN AND PUP TRAILER BOX DETAIL SHEETS