

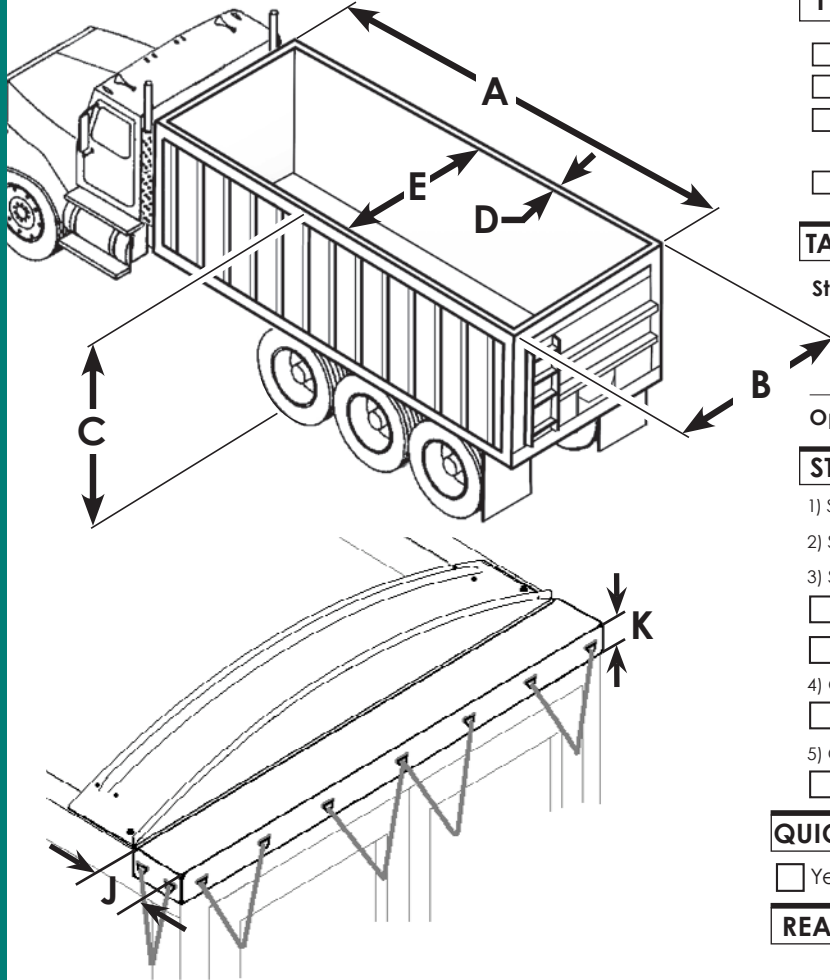


AGRI-COVER, INC.
 PO Box 508
 3000 Hwy 281 SE
 Jamestown, ND 58402

Phone: (800)233-4655
 Fax: (800)592-4460
 www.agricover.com

Please complete form thoroughly.
 Missing information may
 delay order processing.

NOTE:
 Accurate *PHYSICAL* measurements are *ESSENTIAL* for proper tarp fit
 Always use actual tape measurements. *NEVER RELY ON UNIVERSAL BOX SIZES.*



FARM TRUCK BOX DETAIL SHEETS

Notes:

ACI Sales Representative: _____

CONTACT INFORMATION

Name _____
 Address _____
 City _____ State _____ Zip _____
 Phone _____ Fax _____

Box/Trailer Make & Year _____

TYPE OF TARP SYSTEM SRT-2™, EZ-LOC®, & ROLTEC™ up to 24' Long

SRT-2™ Manual EZ-LOC® Manual ROLTEC™ Manual
 SRT-2™ Electric* EZ-LOC® Electric*
 SRT-2™ Stainless Steel Electric* EZ-LOC® Stainless Steel Electric*
 Add Electric Wireless Remote*

TARP COLOR

Standard: Black White Ocean Blue
 Gray Orange Red
 Green Brown Yellow

Optional*: Multi-Color

STYLE OF END CAPS

1) Select Rise (Standard is 7"): 7" Rise 12" Rise
 2) Select Material (Standard is Galv.): Galv. Alum.* SST*
 3) Select Mounting Method (Standard is Front Side, Rear Side):
 Front Side Mounted Front Top Mount
 Rear Side Mount Rear Top Mount
 4) On ROLTEC™ Tarp Orders, Select Depth of End Caps:
 10" Deep Standard 14" Deep Option*
 5) On EZ-LOC® Tarp Orders add Bolt-On Bracket Upgrade:
 No Yes*

QUICK RELEASE END CAP OPTION*

Yes No (available in Galvanized or Aluminum only)

REAR FILLER OPTION*

J _____ Dimension of filler from back of gate to front of hinge pin where end cap will set (inches)
 K _____ Dimension of drop (inches)

MEASUREMENTS Please provide EXACT measurements

A _____ Top Box Length
 B _____ Top Box Width Front Center /Rear
 C _____ Box Height
 D _____ Top Rail Width
 E _____ Inside Box Width

* Optional items are additional cost
 By submitting this order, I accept the terms and conditions of Agri-Cover, Inc.
 Go online at agricover.com for videos, instructions, order forms, and product information.

**FOR COMPLETE KIT PRICING PLEASE REFER TO:
 PAGE 10-FARM TRUCK BOXES**