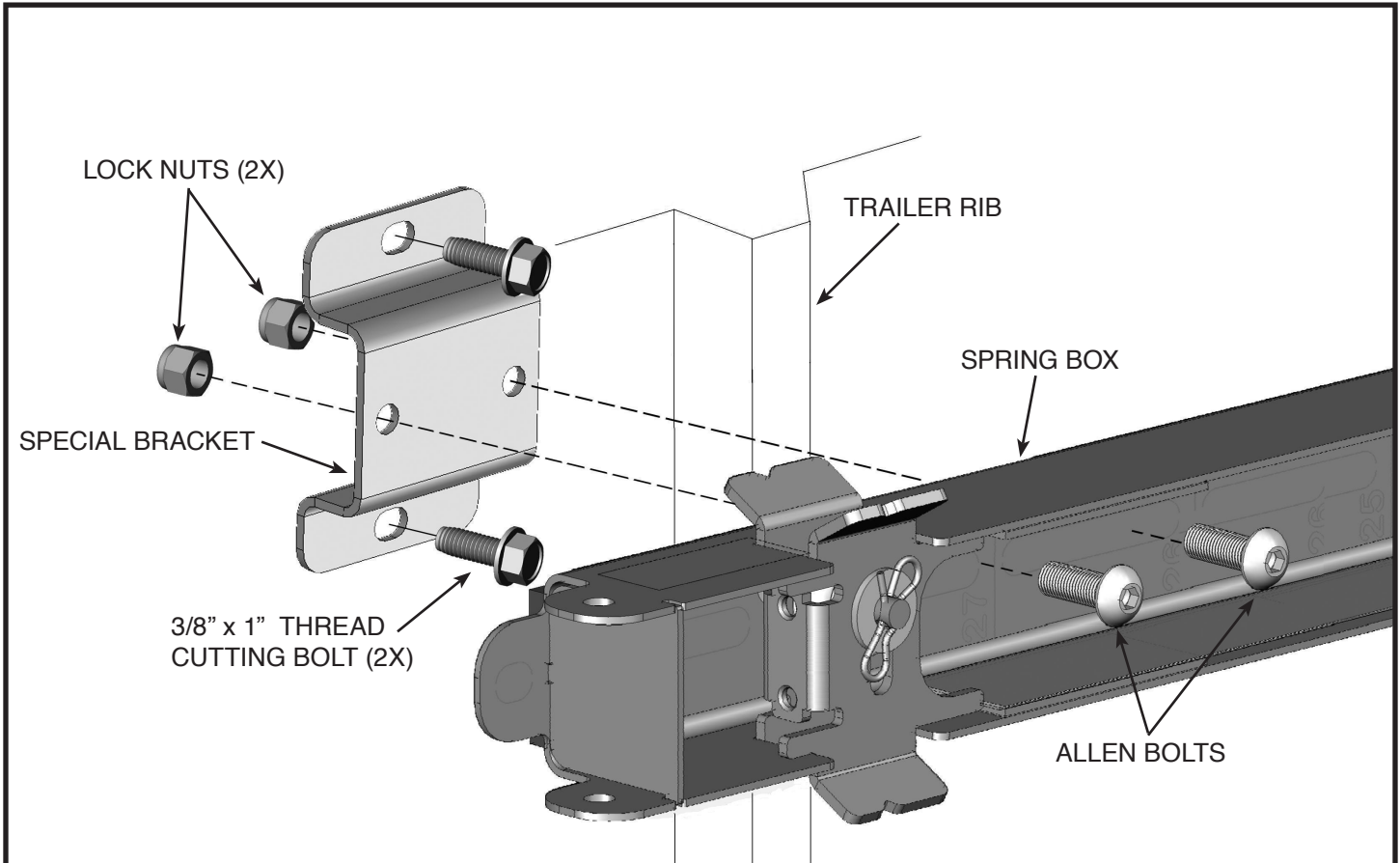


# SPRING BOX MOUNT BRACKET INSTRUCTIONS

**Note to installer:** This bracket is intended as an alternative mounting point if needed when installing spring boxes on trailers with exterior structural ribs.



- 1)** Position bracket on solid mounting surface of box wall (between ribs) so it fills gap between wall and spring box.
- 2)** Mark bolting locations. Drill 5/16 holes. Fasten bracket to box wall with 3/8 x 1" thread cutting hex head bolt (2x). **IMPORTANT:** If mounting bracket to thin wall sheet metal, use extra nuts, flat washer and lock washer (Included in Kit) on back side of wall to secure bracket
- 3)** Mount spring box to bracket using allen head bolts and lock nuts as shown. Then continue mounting remainder of spring box as specified in spring box installation section of the owner's manual.