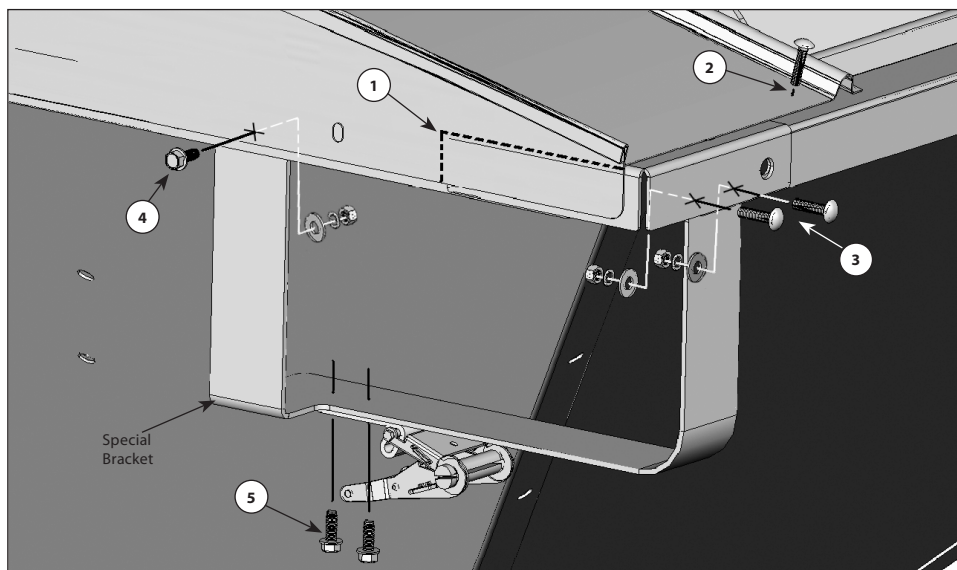




Special Instructions for SRT 2 Roll Tarp on Grain Bag Loader

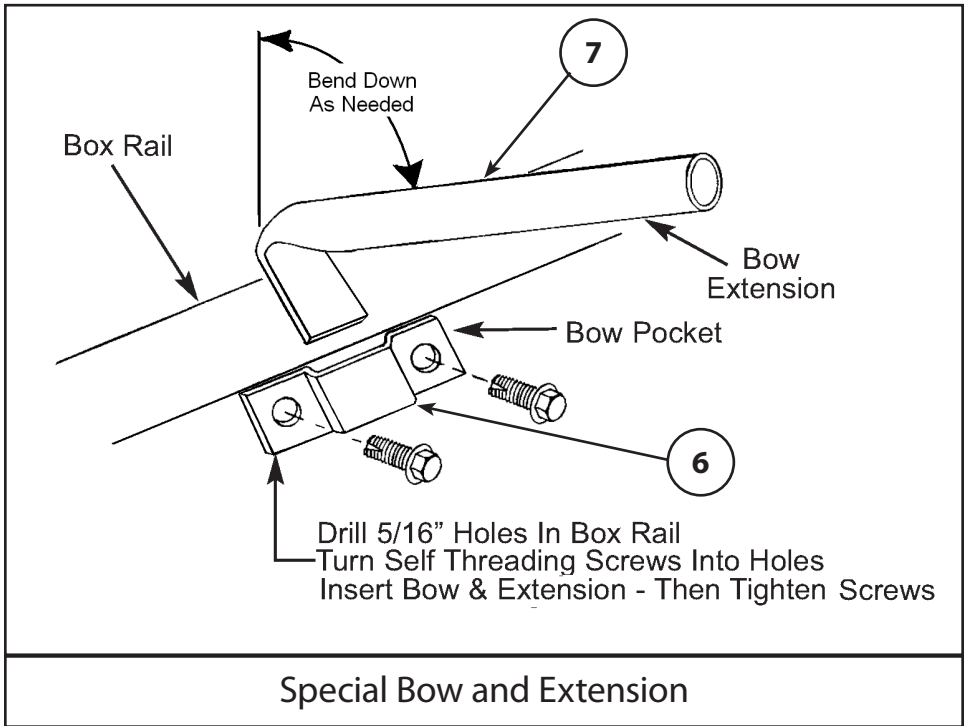
- Special bracket for cable ratchet holder
- Special instructions for end cap
- Special instructions for bows and extensions
- Special instructions for handle holder

NOTE: This tarp requires a REVERSE ROLL installation. Use SRT-2 Owner's Manual for reverse roll and all remaining installation procedures.

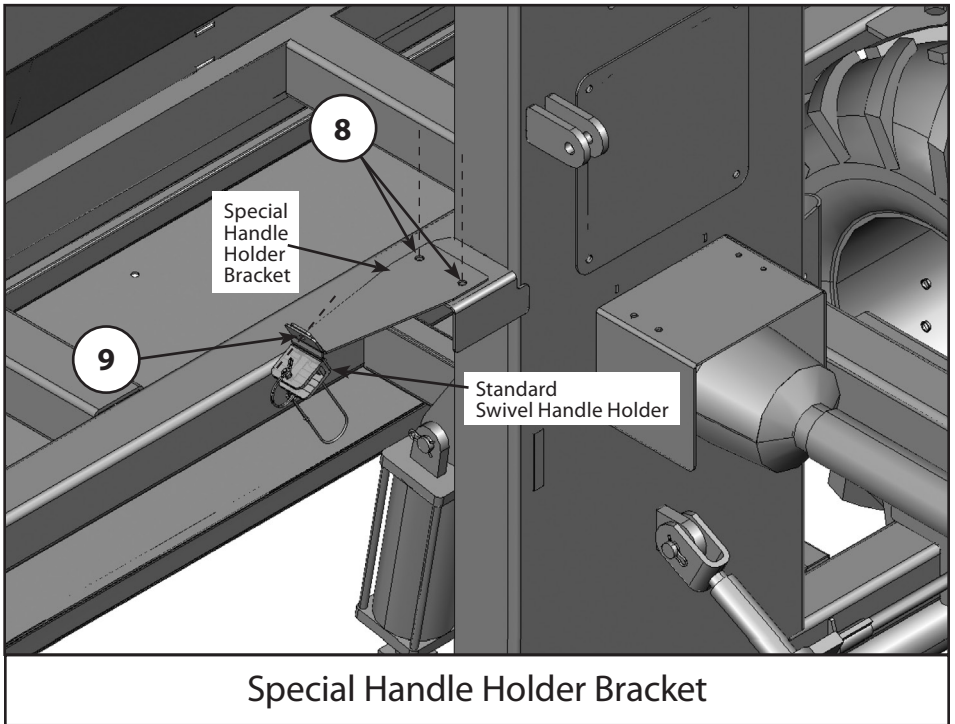


Bracket for Ratchet Mount (view of front left corner)

- 1 Set endcap in place on box and check fit at corners. Field notch at corner of end cap as needed to clear bolt and corner gusset brace on box. (Dashed line indicates area of endcap to be field cut.)
- 2 Drill 5/16 hole for carriage bolt to fasten this part of end cap to box. Use 5/16 carriage bolt, then place two 3/8 flat washers under cap (to serve as spacers) and from inside of box, add 5/16 lock washer and fasten tight with 5/16 nut. Repeat at each corner of both caps.
- 3 Mount special bracket to box as shown. Drill two 3/8 holes on side as shown. Use two 3/8 carriage bolts with flat washer, lock washer and nut to fasten each tight.
- 4 Drill one 3/8 hole on end as shown. Use a 3/8 hex head bolt, flat washer and lock nut to fasten tight.
- 5 Drill two 5/16 holes to mount cable tension ratchet onto special bracket as shown and fasten with 3/8 self threading bolts. Repeat 3, 4 and 5 to mount opposite special bracket at rear of box.



- 6 Mount bow pocket inside slanted wall flush with top of box. Use 3/8 x 1" self threading screws. Repeat on opposite side of box.
- 7 Insert bow extension into pocket and bend extension down as needed. Repeat procedure for bow. Refer to standard owner's manual to finish adjusting and setting bow height with a self threading screw.



Special Handle Holder Bracket

- 8** Attach special handle holder bracket to machine by aligning holes and bolting with two 1/2 bolts, flat washer and fasten with lock nut.

- 9** Mount swivel handle holder to bracket using one 3/8 bolt (with vibratite coating) with flat washer and nut. Turn nut onto bolt and leave it just loose enough to allow holder to swivel when mounting handle.

