

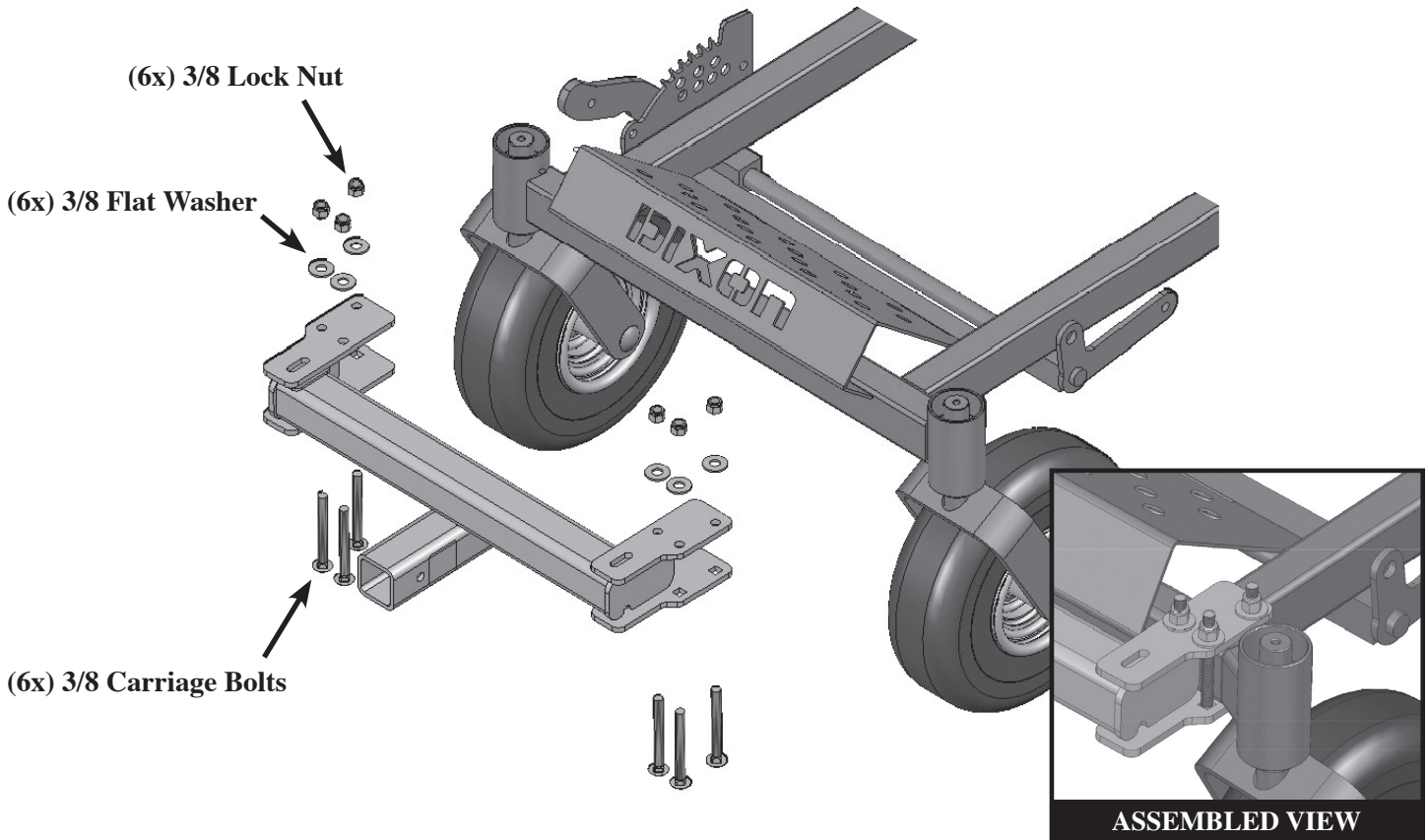


Plow Mount Installation Instructions

ZTR Mower - Dixon Speed 36, 42 & 44 kit# 60210
Dixon Speed 30 kit# 50944

TOOLS NEEDED:

- a) 9/16" wrench (2)
- b) Torque wrench ft. lbs. & 9/16" socket
- c) Protective eyewear



NOTE: Plow mount and machine appearance may vary from diagram

1. Place center of plow mount on center of front frame of machine.
2. Insert carriage bolts from bottom up. Start a lock nut with washer on each bolt.
(See exploded view and assembled view)
3. Tighten all bolts evenly, a little at a time.
4. Torque each bolt to 31 ft. lbs. Check periodically and retorque if needed.