

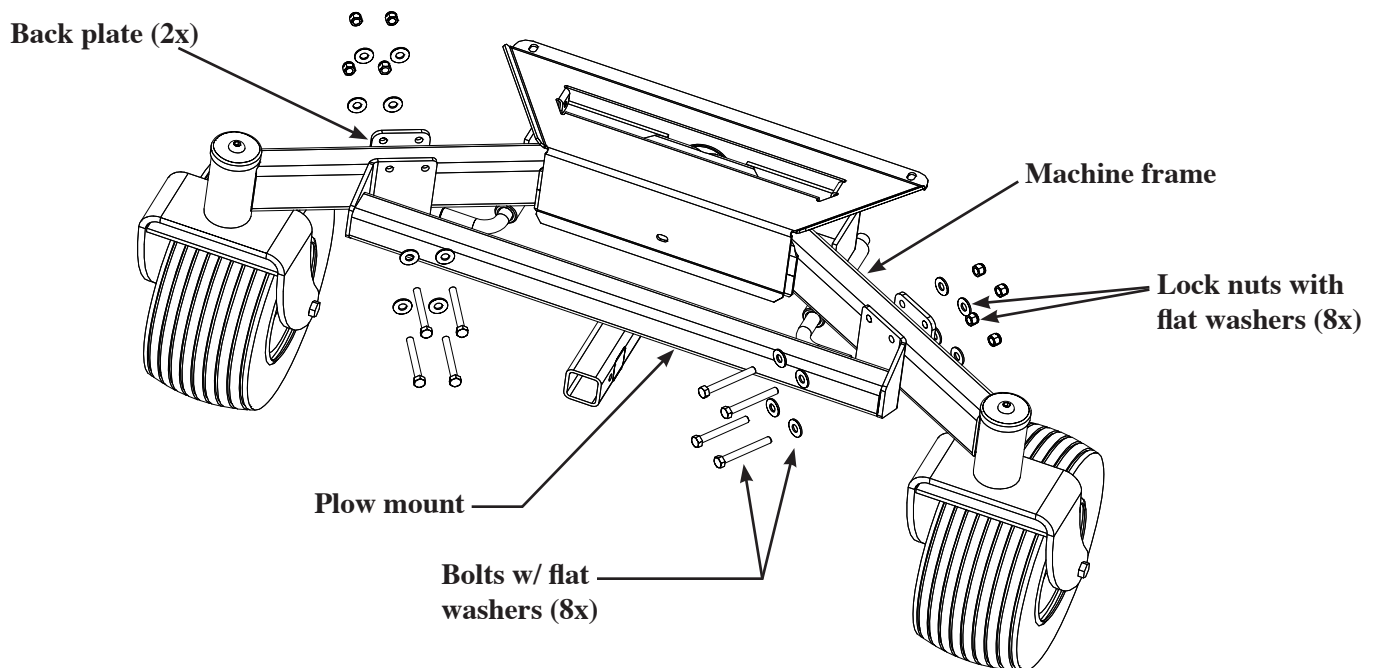


Plow Mount Installation Instructions

ZTR Mower - Dixon Grizzly kit# 60020
Dixon Kodiak kit# 50960
Dixon Ram Ultra kit # 60390

TOOLS NEEDED:

- a) 9/16" wrench (2)
- b) Torque wrench ft. lbs. & 9/16" socket
- c) Protective eyewear



NOTE: Plow mount and machine appearance may vary from diagram

1. Place center of plow mount on center of front frame of machine.
2. Insert bolts with flat washers and apply back plate. Repeat at both ends.
3. Start a lock nut with flat washer on each bolt. Make sure plow mount is centered in middle of machine. Tighten all bolts evenly, a little at a time, check that castor wheels can rotate 360 degrees and adjust if needed.
4. Torque each bolt to 31 ft. lbs. Check periodically and retorque if needed.