

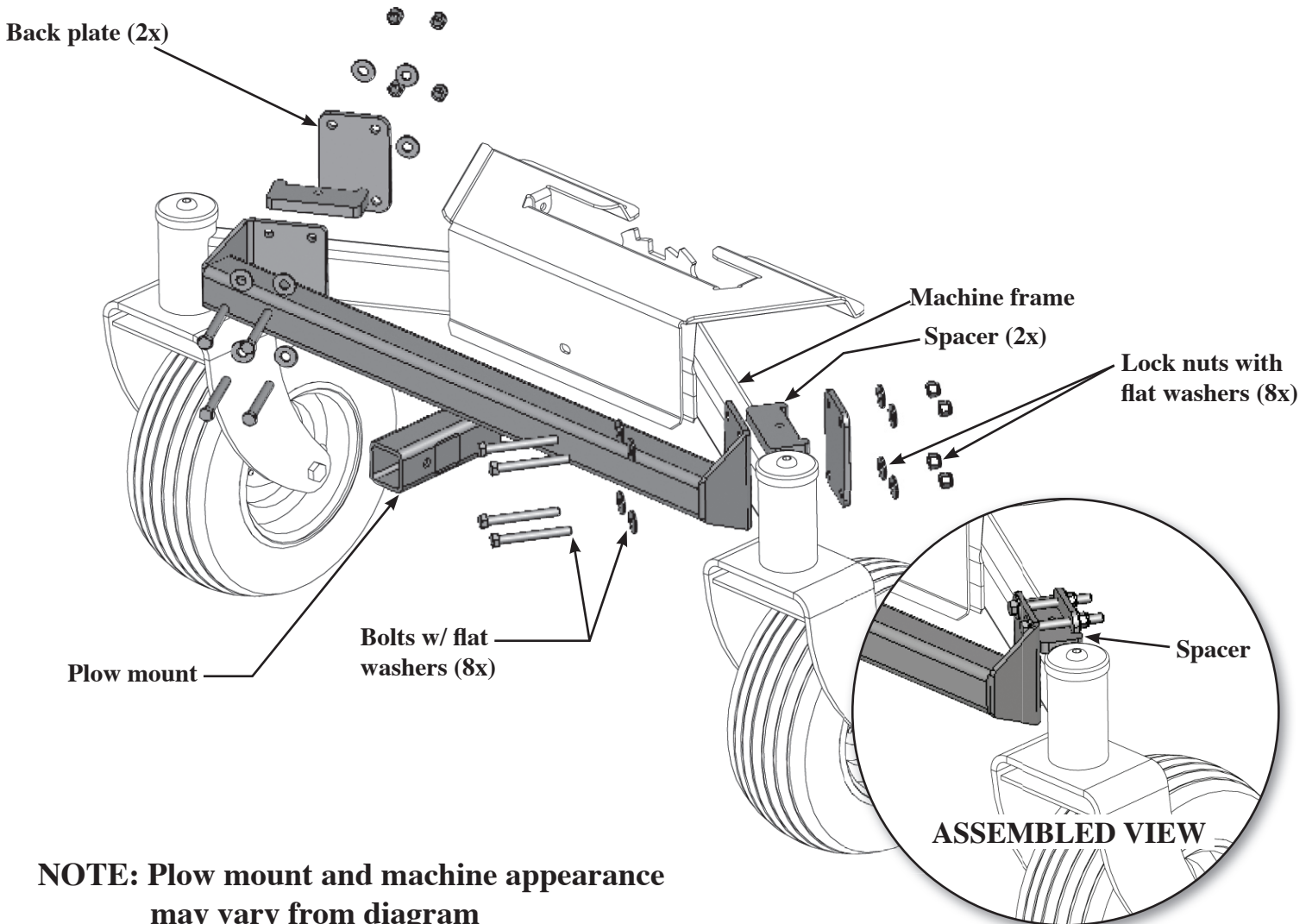


## Plow Mount Installation Instructions

ZTR Mower - LandPride ZXT Pro ZTR  
Kit# 60200

### TOOLS NEEDED:

- a) 9/16" wrench (2)
- b) Torque wrench ft. lbs. & 9/16" socket
- c) Protective eyewear



**NOTE: Plow mount and machine appearance may vary from diagram**

1. Place center of plow mount on center of front frame of machine.
2. Place spacer on top of machine axel, with tabs facing to rear of machine.
3. Insert bolts with flat washers and apply back plate. Repeat at both ends.
4. Start a lock nut with flat washer on each bolt. Make sure plow mount is centered in middle of machine.  
Tighten all bolts evenly, a little at a time.
5. Torque each bolt to 31 ft. lbs. Check periodically and retorque if needed.