

HONDA RIDGELINE (KIT #601)

Installation Instructions

(to be used in addition to owners manual)

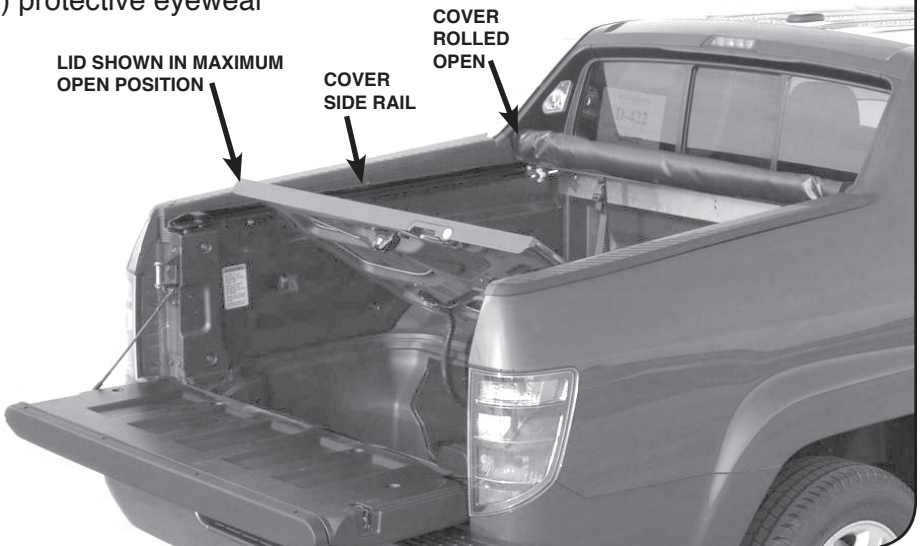


IMPORTANT NOTE:

Read before beginning installation. These instructions replace all of Step 1 of the instructions in the ACCESS owners manual. The Honda Ridgeline has a unique box design. When the cover is installed, it will set recessed down from the top of the box sides. Also, this truck is equipped with a trunk-like lid on the bed floor. The lid remains functional, but is restricted from fully opening - avoid forcing the lid beyond its limit.

TOOLS NEEDED:

- a) T-40 Torx
- b) 10 mm socket
- c) (2) 7/16 wrench or socket
- d) inch pound torque wrench
- e) protective eyewear



1

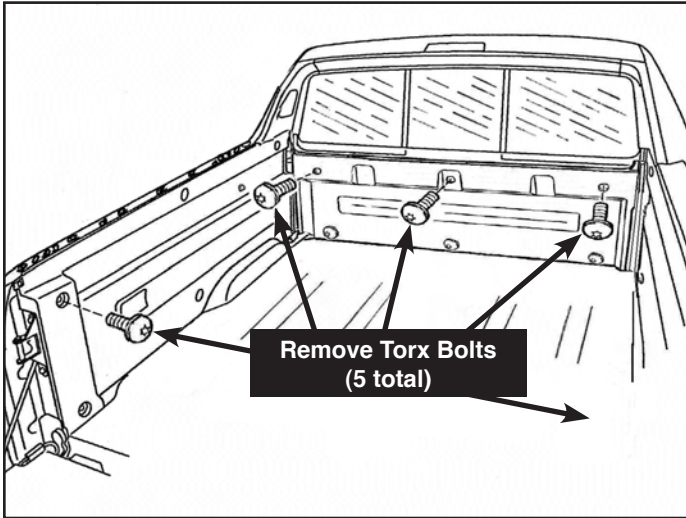


ILLUSTRATION 1

- A. Remove top 3 torx bolts on front box wall panel (T-40). Then remove 1 torx bolt at top rear **on each side of box**.



ILLUSTRATION 2

- B. Mount header bar to front box wall with **6mm x 40mm hex bolt, lock washer and flat washer** where the 3 top torx bolts were removed. Torque center bolt to about **20 inch lbs.** Torque each outer bolt to **60 inch lbs.** (10 mm socket)

2

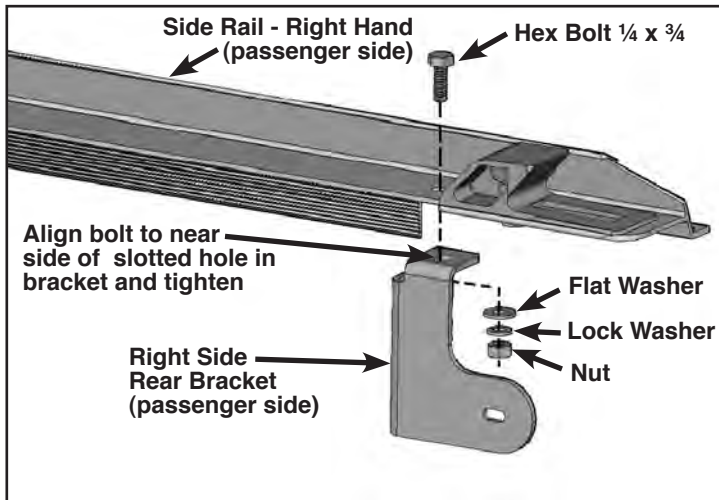


ILLUSTRATION 3

- A. Assemble bracket to rear of rail. Use hex bolt, flat washer, lock washer and nut. Align bolt to near side of bracket and tighten. (7/16 wrench) Repeat bracket assembly for left hand rail (driver side). **NOTE: Slotted hole in bracket is for adjustments later if needed.**

3

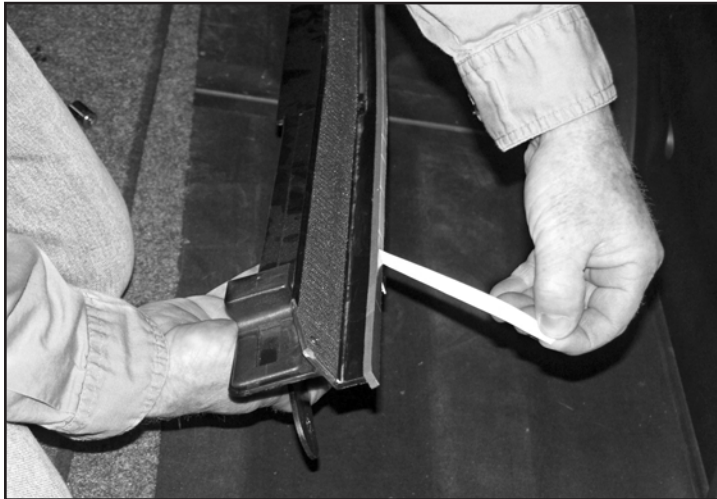


ILLUSTRATION 4

- A. Pull paper off of weather stripping down full length of rail.

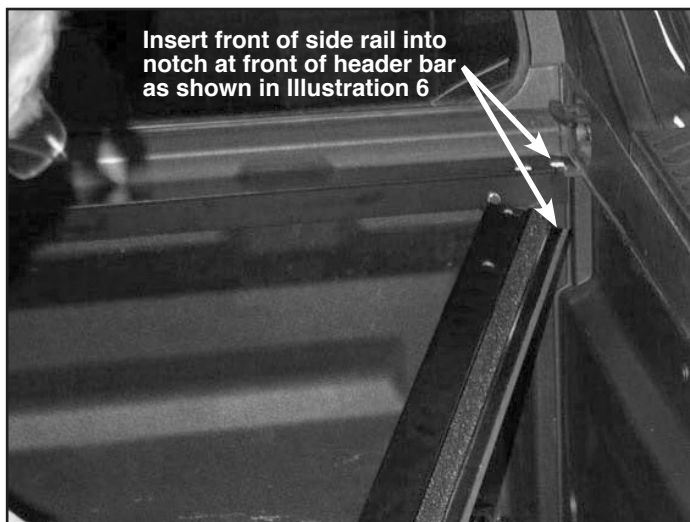


ILLUSTRATION 5

- A. Engage front end of cover rail into notch at front header. Do not let adhesive on rail touch box at this time. See Illustrations 5 & 6.

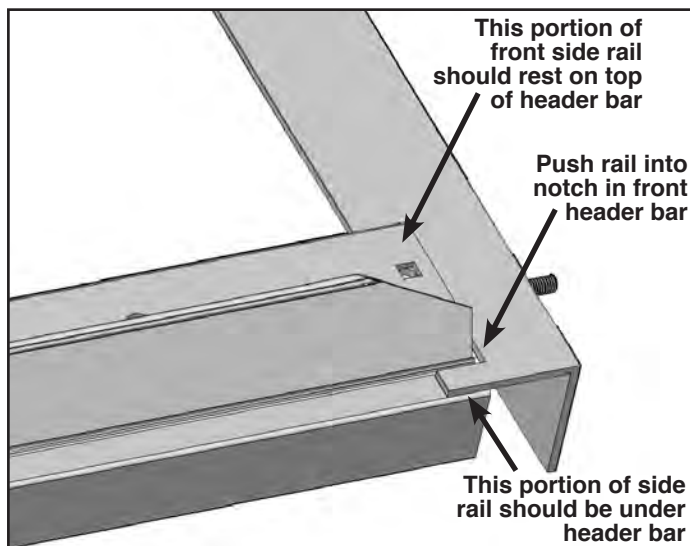


ILLUSTRATION 6

- B. Front of siderail inserted into notch of header bar.

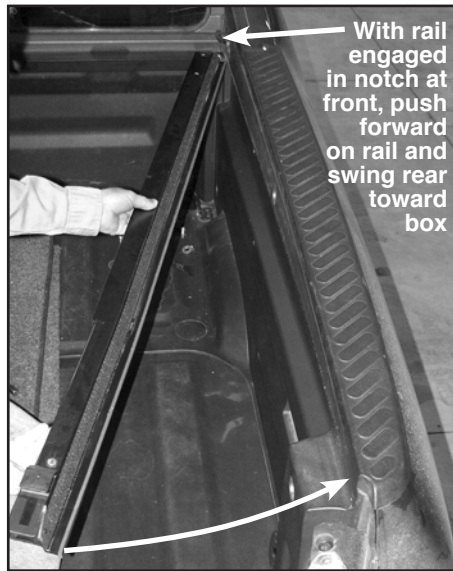


ILLUSTRATION 7

- A. Push rail forward - and at same time swing rear carefully toward box. **CAUTION:** Do not let adhesive on rail make contact with box wall. See B., Illustration 8 next.



ILLUSTRATION 8

- B. While holding rail carefully so as not to let adhesive contact box, align 6mm bolt with flat washer (do not use lock washer) through bracket of rail and into opening where torx bolt was removed at rear of box. Start turning bolt into threads where torx bolt was removed.



ILLUSTRATION 9

- A. After bolt has been partially turned in, hold rail level and use bolt as a guide then push rail toward box wall until weather strip adhesive makes full contact.



ILLUSTRATION 10

- B. Tighten bolt until rail is secure to box. **Torque to 80 inch lbs.** Repeat steps 3, 4, 5 and 6 for driver side rail.
TIP: IF NEEDED, the slotted hole in rear bracket can be used to compress the weather seal tighter against box wall (Bracket assembly step 2). Loosen bolt that holds bracket to rail, push rail directly against box, hold and tighten bolt.

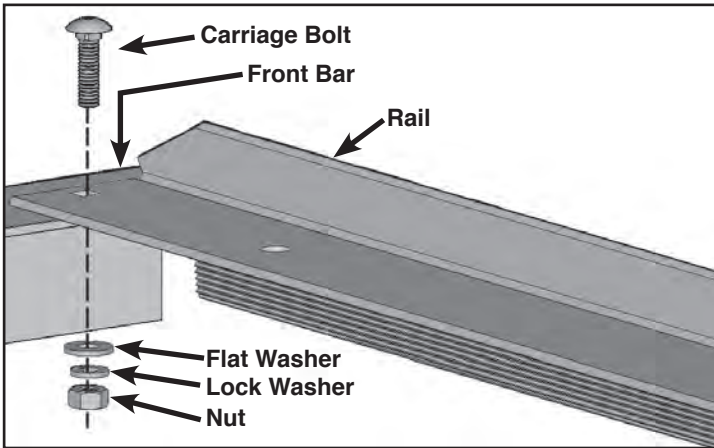


ILLUSTRATION 11

- A. At front of rail insert carriage bolt through hole in rail and front bar. Assemble flat washer, lock washer and nut.



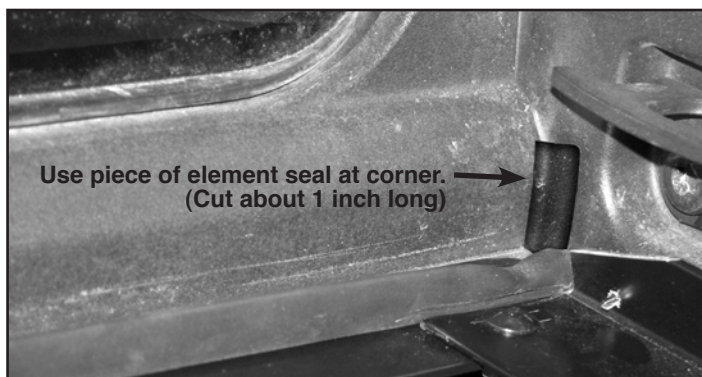
ILLUSTRATION 12

- B. Push firmly against front of rail to compress weather seal tight - hold and tighten nut on carriage bolt.

FOR REMAINING INSTALLATION:

Refer to ACCESS Cover owners manual beginning with step 2:
 “Adhering Element Seal to Header”

TIP:



TIP: Use left over piece of Element Seal™ to make best possible seal at corner of box. Trim off leg of seal without adhesive. Use piece with adhesive and position into corner forcing rubber to shape of box corner.

Helpful hints when sealing the sides of this cover.
Use these in conjunction with the operating instructions
in the ACCESS® owners manual.



When sealing the sides, push down on vinyl next to rail...



as cover edge turns up, grip and pull it snug by the edge...



then push it down to seal along rail from front to back. **NOTE:** For best results always keep valley between box and cover clean of debris