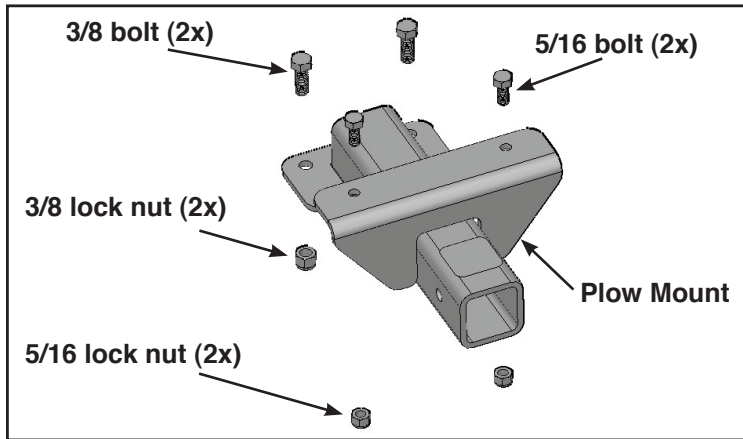


Plow Mount Parts



Tools: 10mm wrench
1/2" wrench (2x)
9/16" wrench (2x)
ft. lbs. torque wrench 1/2" & 9/16" socket
Protective eyewear

1

Remove bolts from front of skid shield

a) At front of machine, remove 2 bolts (10mm wrench) from skid shield. Save bolts and washers.

Insert mount here

Pull down on skid shield

b) Pull top of skid shield away from machine enough to allow inserting lead end of plow mount onto frame for mounting. Then push skid shield up so that it fits behind front flange of mount.

Insert 5/16" bolt

Skid shield behind flange of mount

c) Position plow mount in center of machine frame. Note that front of skid shield is behind flange of mount. Then align front holes in mount with existing holes in machine frame. Insert 5/16 bolt into each hole and turn 5/16 lock nut finger tight.

2

3/8" bolt at rear on each side

a) Insert 3/8 bolt in each hole at back of plow mount and turn 3/8 lock nut finger tight.

Torque rear bolts (3/8") to 31 ft. lbs.

Torque front bolts (5/16") to 20 ft. lbs.

b) Tighten and torque front bolts (5/16) to 20 ft. lbs. Tighten and torque rear bolts (3/8) to 31 ft. lbs.

Replace bolts on front of skid shield

c) Replace 2 original bolts with washers to secure plastic skid shield in place. Installation is now complete. Periodically check bolts and retorquer if needed.