

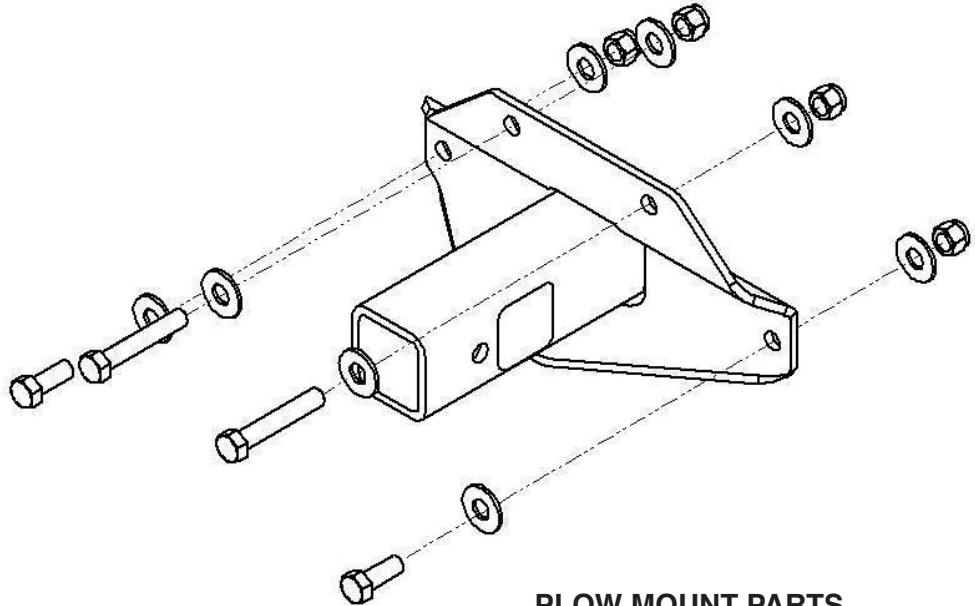


## Plow Mount Installation Instructions kit# 50930

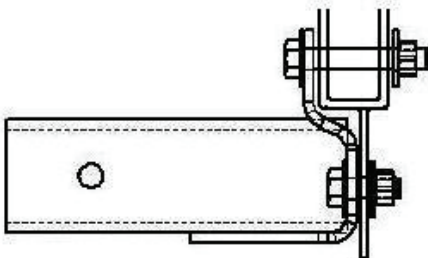
ZTR Mower - DIXON Ram Mag - Husqvarna

### Tools Needed:

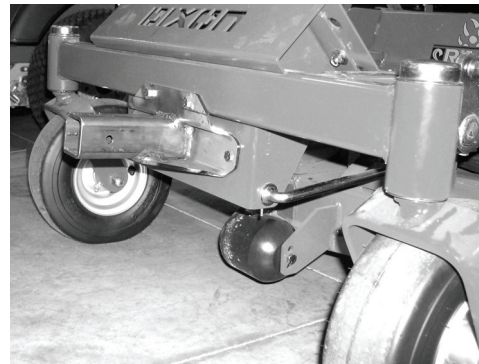
- a) Drill and 3/8" bit
- b) 9/16" wrench (2)
- c) Torque wrench (ft. lbs)
- d) Protective eyewear



**PLOW MOUNT PARTS**



**INSTALLED MOUNT CROSS-SECTION**



**INSTALLED MOUNT**

1. Place center of plow mount on center of front frame of machine.
2. Mark the location of the mounting holes on the frame.
3. Drill four 3/8" holes through front frame and deburr if needed
4. Align plow mount with holes, insert long bolts with washer in top holes and short bolts with washers in bottom holes. Add flat washer with nuts and tighten bolts.
5. Torque all bolts to 25 ft lbs. Check periodically and retorque if needed.