

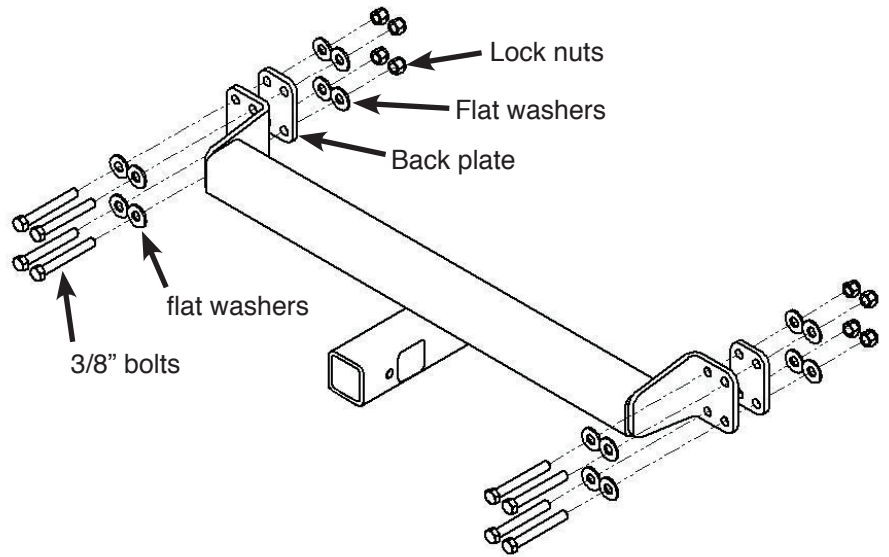


Plow Mount Installation Instructions kit# 50900

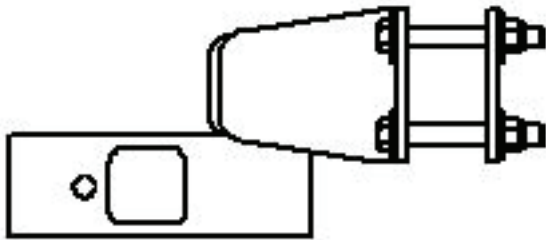
ZTR Mower - LandPride Razor

Tools Needed:

- a) 9/16" wrench (2)
- b) Torque wrench (ft. lbs.)
- c) Protective eyewear



PLOW MOUNT PARTS



INSTALLED MOUNT CROSS-SECTION



INSTALLED MOUNT

1. Place center of plow mount on center of front frame of machine with receiver tube in underhung position.
2. Insert bolts with flat washers and apply back plate. Repeat at both ends.
3. Start a lock nut with flat washer on each bolt. Make sure plow mount is centered in middle of machine. Tighten all bolts evenly, a little at a time.
4. Torque each bolt to 25 ft lbs. Check periodically and retorque if needed.