

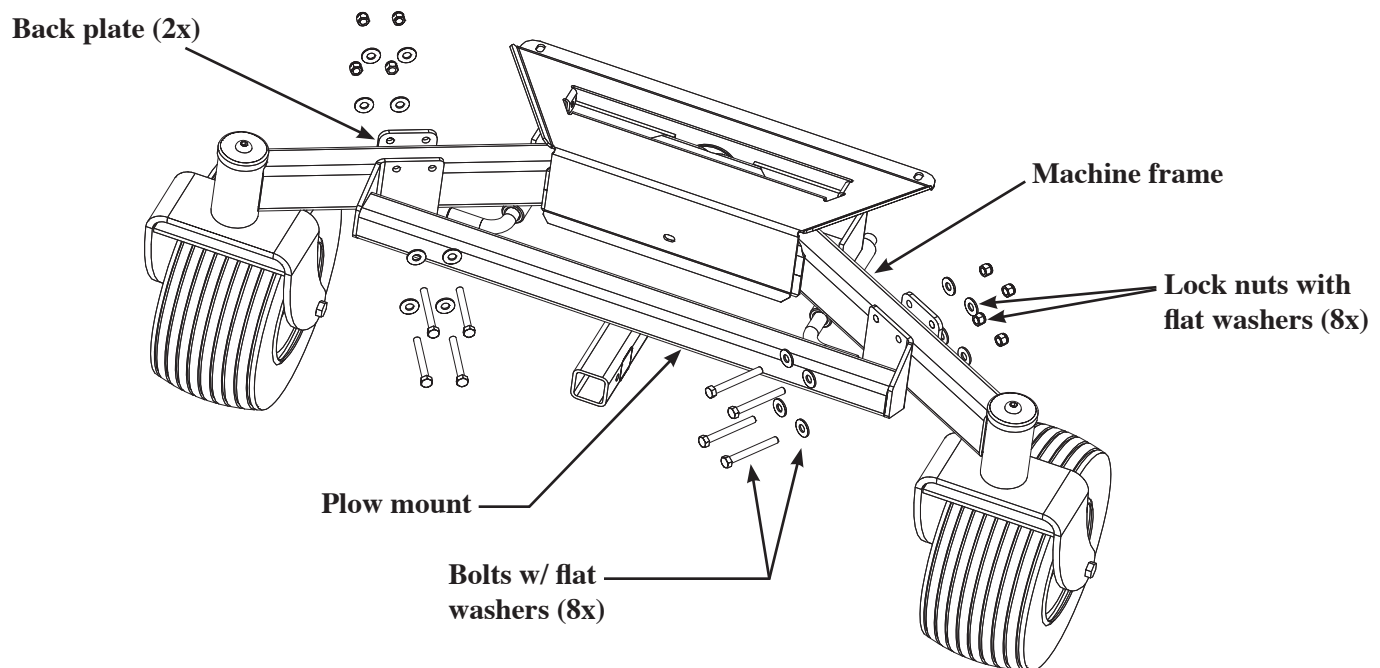


## Plow Mount Installation Instructions kit# 50890 & 50999

ZTR Mower - LandPride ACCU-Z 60  
- LandPride ACCU-Z 72

### TOOLS NEEDED:

- a) 9/16" wrench (2)
- b) Torque wrench ft. lbs. & 9/16" socket
- c) Protective eyewear



**NOTE: Plow mount and machine appearance may vary from diagram**

1. Place center of plow mount on center of front frame of machine.
2. Insert bolts with flat washers and apply back plate. Repeat at both ends.
3. Start a lock nut with flat washer on each bolt. Make sure plow mount is centered in middle of machine. Tighten all bolts evenly, a little at a time.
4. Torque each bolt to 31 ft. lbs. Check periodically and retorquing if needed.