

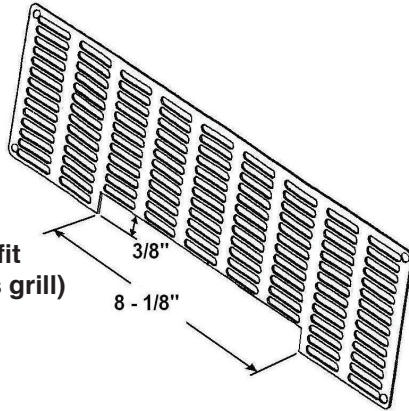


Plow Mount Installation Instructions

Kit #40480

ATV Polaris Ranger 4x4 XP

Cut notch in bottom of grill as shown for mount to fit (center notch across grill)



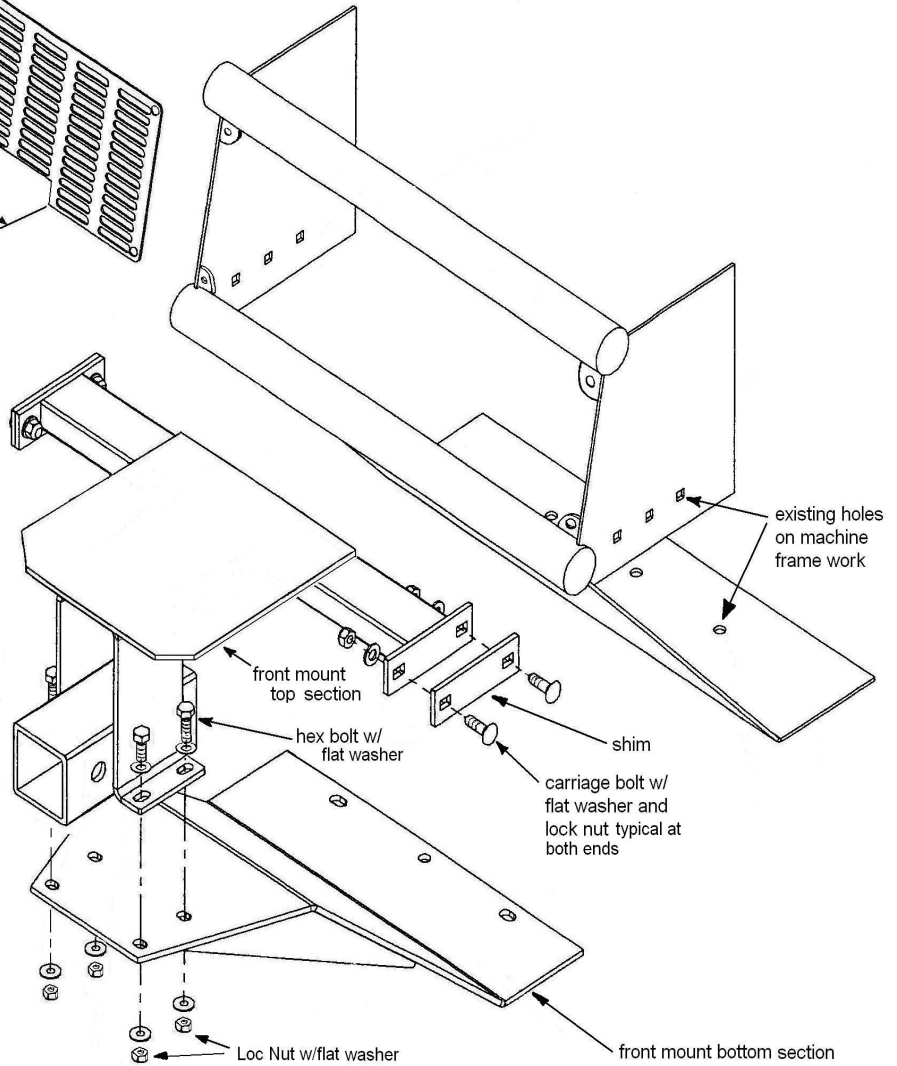
TOOLS NEEDED:

- T27 Torx
- Ratchet
- 9/16" & 1/2" sockets
- 1/2" wrench
- Hacksaw (or power hand saw)
- Ft. lb. torque wrench
- Protective eyewear

Step 1: Remove 4 torx bolts that hold grill and save. Remove 3 existing bolts (9/16" socket) under machine and save.

Step 2: Mount bottom section with 3 original bolts - leave loose for now. Insert front mount in grill opening - **be careful - do not touch radiator fins with mount**. Align 4 mount holes with 4 holes in bottom plate. Insert 5/16" bolts w/ nuts - leave loose for now. Insert a shim between side of receiver and machine frame. Align holes of receiver and spacer with existing holes on machine. Insert carriage bolts (2 per side) and start lock nuts. **Torque all bolts to 18 ft. lbs.** Periodically check bolts and retorque if needed.

Step 3: Cut notch in grill (as shown above) to allow for top plate of mount. Then replace grill with the 4 torx bolts.



QTY	DESCRIPTION
1	Front Mount - Top Section
1	Front Mount - Bottom Section
2	Shim - Top Mount Section
4	5/16 - 18 x 1" Carriage Bolt
12	5/16" Flat Washer
8	5/16 - 18 Loc Nut
4	5/16 - 18 x 1 Bolt