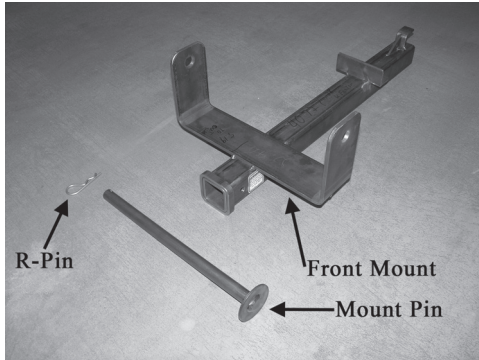




Plow Mount Installation Instructions kit# 30570

ATV Honda Rubicon 500 4x4 00-04

Front Mount Parts



No Tools Needed

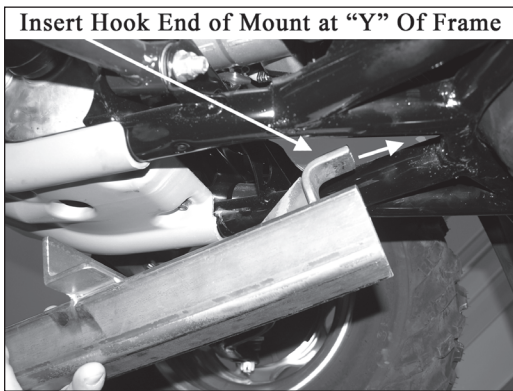


Illustration 1

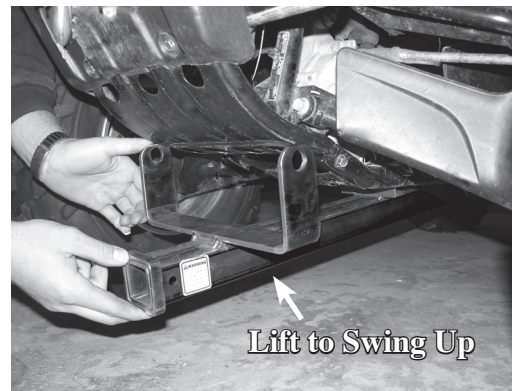


Illustration 2

Step 1. - Insert hook at rear of mount into "Y" of frame under center of ATV and push to engage hook (Illustration 1). With rear of mount inserted, lift front of mount up tight against frame and push firmly while lifting to ensure hook is fully engaging ATV frame (Illustration 2).

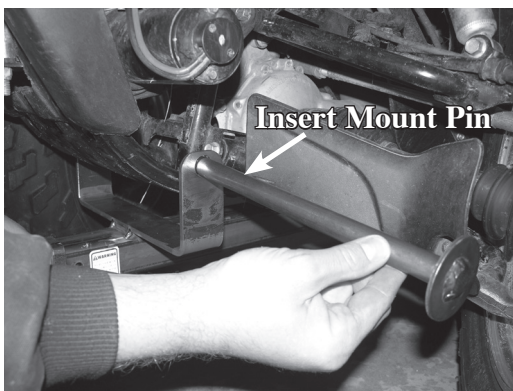


Illustration 3

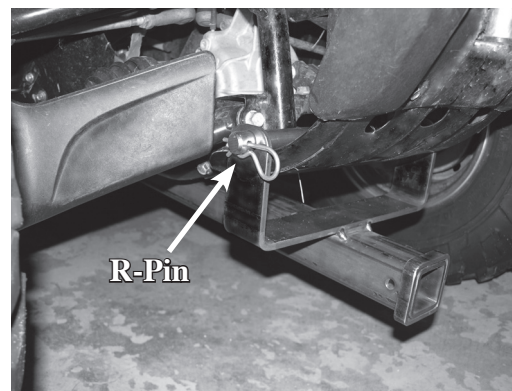


Illustration 4

Step 2. - Turn ATV wheels to side and with mount held in place, insert mount pin in hole (Illustration 3) and slide all the way through hole on opposite side. Then at opposite end of pin, insert R-Pin to secure mount (Illustration 4). Installation is complete.